

# SILENT-300



Instrucciones de montaje  
Instruction leaflet  
Notice de montage  
Montageanweisungen  
Montage-en gebruiksaanwijzing  
Instrucções para a montagem  
Istruzioni per l'installazione  
Användar instruktion  
Brugervejledning  
Instrukcja obsługi  
Návod  
Käyttöohjeet  
Инструкции по сборке



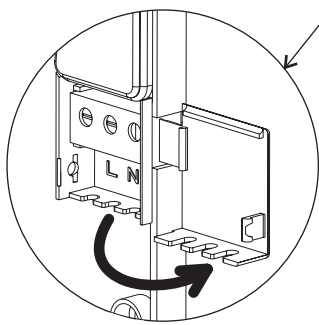
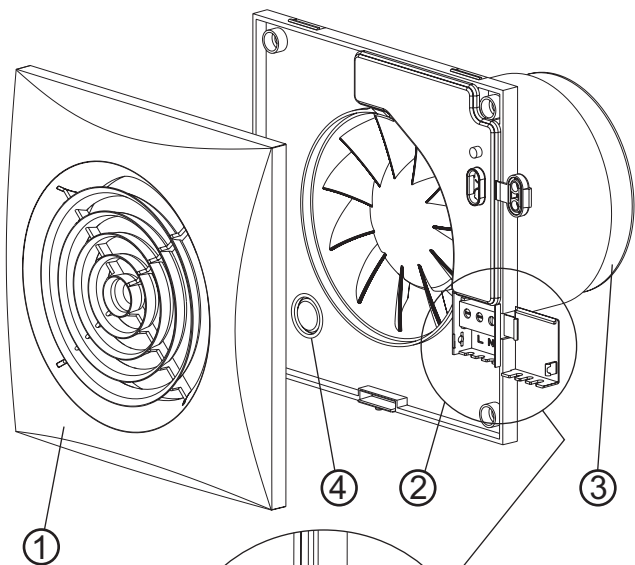


Fig.1

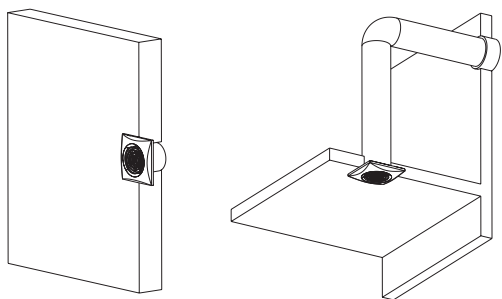


Fig.2

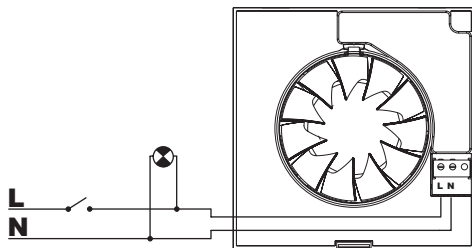


Fig.3

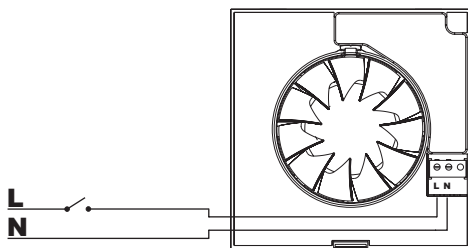


Fig.4

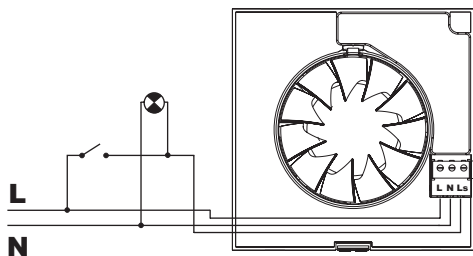


Fig.5

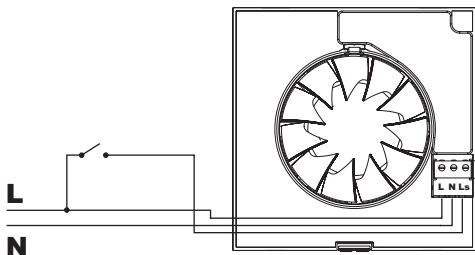


Fig.6

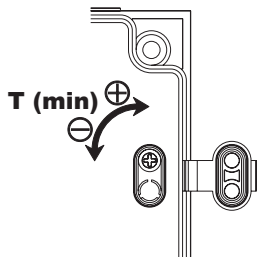


Fig.7

**SILENT-300 CRZ**

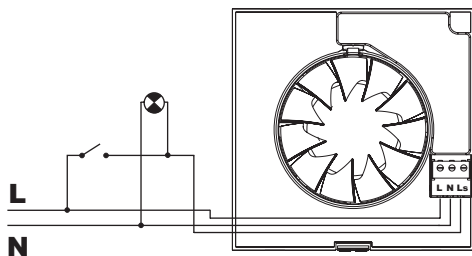


Fig.8

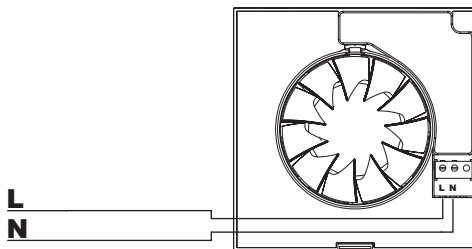


Fig.9

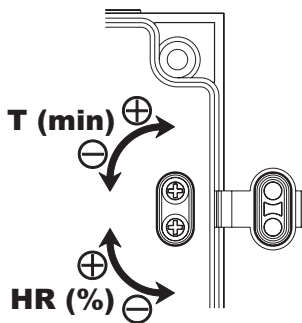


Fig.10

## ENGLISH

### SILENT-300 Axial Extractor Fans

#### IMPORTANT

The SILENT-300 extractor fan range is manufactured to the high standards of production and quality as laid down by the international Quality Standard ISO 9001. All components have been checked and every one of the final products will have been individually tested at the end of the manufacturing process.

On receipt of the product we recommend that you to check the following :

1- That it is the correct size.

2- That it is the correct model.

3- That the details on the rating label are those you require: voltage, frequency ...

**The installation must be carried out in accordance with the electrical standards in force in your country.**

**This appliance is not intended for use by young children or infirm persons unless they have been adequately supervised by a responsible person to ensure that they can use the appliance safely.**

**Young children should be supervised to ensure that they do not play with the appliance.**

#### Installation

**IMPORTANT:** Before installing and wiring the unit, ensure that the main supply is disconnected.

Fig.1:

1: Protection grille

3: Outlet with backdraught shutter

2: Connection terminals

4: Cable entry

The SILENT-300 is suitable for wall or ceiling mounting and can either discharge directly to the outside or via an individual ducting system (see Fig. 2).

The unit can be mounted on the wall or ceiling using the 4 rubber blocks and the screws provided.

Make a hole in the wall or ceiling of 155 mm dia.

If the unit is to be installed with individual ducting, use a standard 150 or 160 mm dia. duct. Ensure that there are no obstructions to

the airflow and that the impeller turns freely.

Fix the extractor to the wall in such a way that it is not distorted in order to avoid noise generation or problems with the rotation of the impeller. Make sure that the backdraught shutter opens freely and has not being damaged in transit. Precautions must be taken to avoid the back-flow of gases into the room from the open flue of gas or other fuel-burning appliances. Introduce the mains cable through the cable entry (4) and fix it to the wall.

Connect the electrical wiring as set out below and then mount the protection grille (1).

#### Electrical connection

The SILENT-300 is an extractor designed for a single phase supply, with voltage and frequency as indicated on the rating plate of the unit. The units are manufactured with double electrical insulation (Class II) and therefore they do not need an earth connection.

The electrical installation must include a double pole switch with a contact clearance of at least 3 mm.

The electrical cable must enter the SILENT-300 through the cable entry (4).

**The Silent 300 can be connected to the electrical supply by either 1mm 2 pin plug and lead or by 1mm and above fixed wiring in accordance with local wiring regulations.**

Once the cable has been introduced proceed using the electrical wiring diagram applicable to the selected model.

#### SILENT-300 CZ/CZ PLUS

For these models use the following diagrams:

Fig.3: Switching the extractor through the light switch.

Fig.4: To switch the fan through an independent switch.

#### SILENT-300 CRZ/CRZ PLUS

This model is provided with an adjustable over-run timer. The timer allows the fan to continue to operate for the selected period after the switch has been turned off (fig.6).

Model provided with a 4 positions adjustable electronic timer: Fig.5 shows how to connect

the fan with timer utilising the same switch as for the lighting circuit.

To set the timer, turn the potentiometer on the printed circuit board as (fig. 7).

- To reduce the "run on" time, turn anticlockwise (min. 1minutes)

- To increase the "run on" time , turn clockwise (max: 30 minutes).

### **SILENT-300 CHZ**

Models provided with an electronic humidistat which can be adjusted from 60% to 90 % RH (relative humidity) and with a timer, adjustable between 2 and 20 minutes.

Operation

**Case 1:**Automatic operation (fig.9)

In automatic operation, the humidistat causes the extractor to operate automatically when the humidity level in the room is higher than the set level. The extractor will stop automatically when the humidity drops below the selected level and after the selected period set on the timer.

**Case 2:** Automatic operation as in case 1 with the facility to override the hygrostat by means of the light switch (fig.8), when the humidity level in the room is lower than the selected level. In this case, the extractor continues to operate for the selected period set on the timer after the switch light has been switched off.

**ATTENTION: When the humidity rate is above the selected value, the automatic option takes precedence over the manual and the unit cannot then be switched off using a switch.**

The desired humidity level is selected by means of a potentiometer “% Hr ” positioned on the printed circuit board (fig.10) and accessible once the grille (1) has been removed.

- To increase the humidity setting turn anticlockwise (min.60 %)

- To reduce the humidity setting turn clockwise (max. 90 %)

To set the timer, turn the potentiometer “ t min” on the printed circuit board (fig.10):

- To reduce the "run on" time, turn anticlockwise (min. 2minutes)

- To increase the "run on" time , turn clockwise (max: 20 minutes).

### **Maintenance**

The extractor fan only requires periodical cleaning using a cloth lightly impregnated with a soft detergent.

### **After Sales Service**

We recommend you not to try to dismantle or remove any other parts than those mentioned as any tampering would automatically cancel the S&P guarantee. If you detect any fault, contact your S&P dealer.

S&P reserves the right to alter specifications without notice

---

---

# Soler & Palau

Polígono Industrial Llevant  
c/ Llevant, 4  
08150 Parets del Vallès (Barcelona)  
Spain  
Tel. (34) - 93 571 93 00  
Fax. (34) - 93 571 93 11  
<http://www.solerpalau.com>



Ref. 0288259013

---