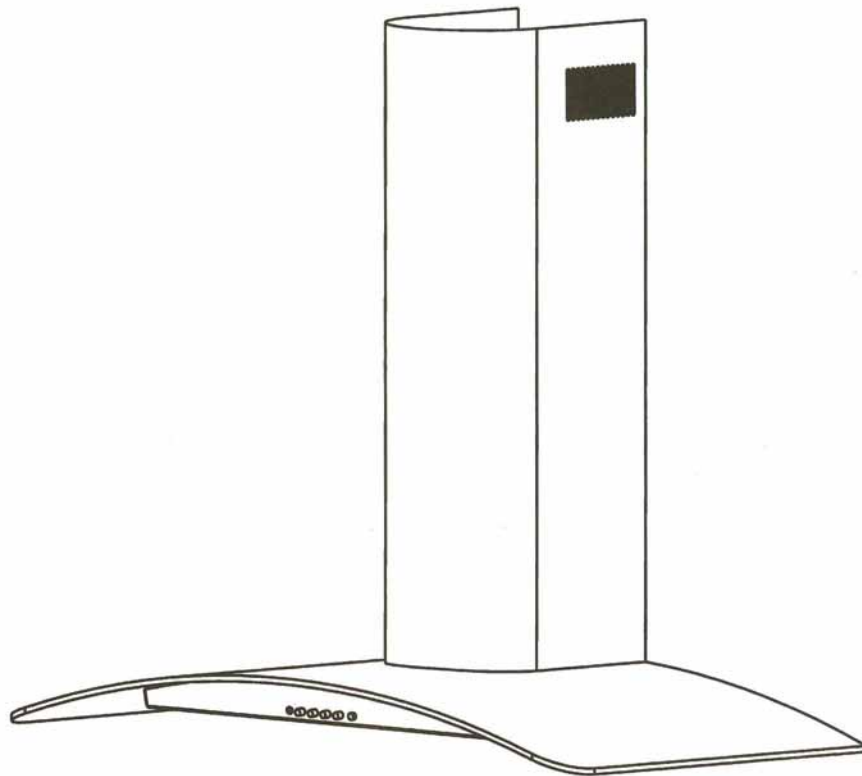


ONDA CRITAL 900



Instrucciones de montaje y uso  
User instructions  
Notice d'utilisation  
Instruções de utilização

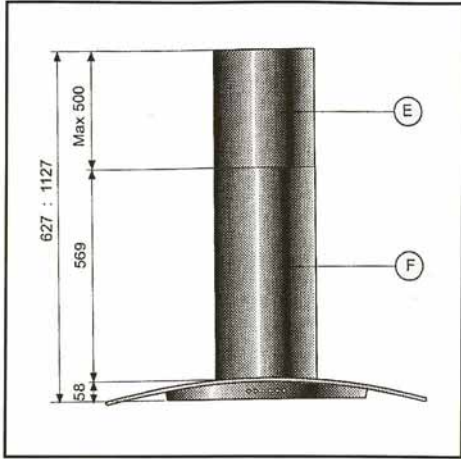


Fig. 1

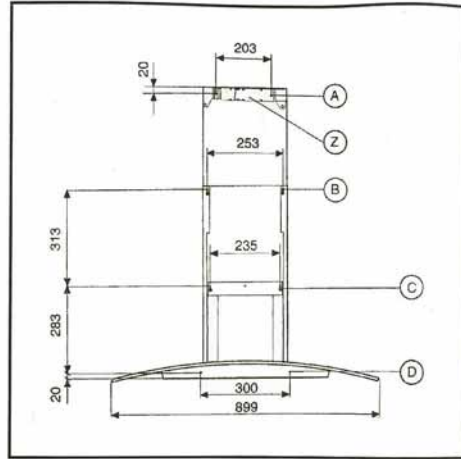


Fig. 3

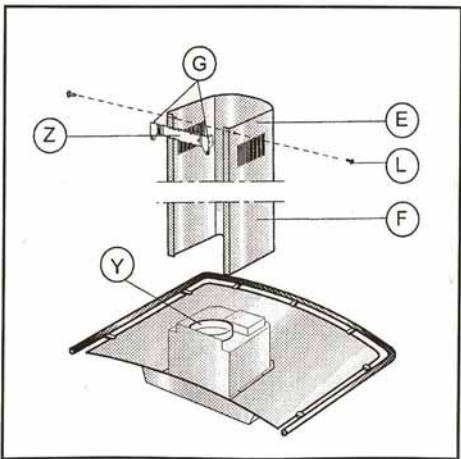


Fig. 2

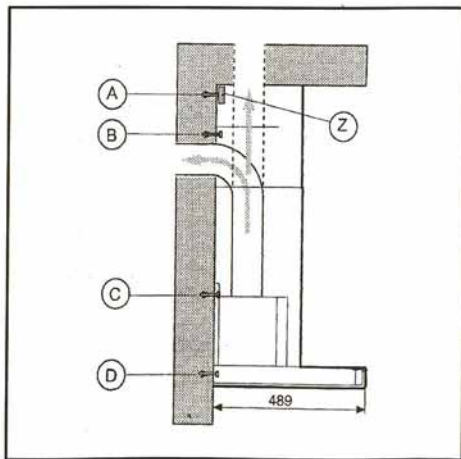


Fig. 4

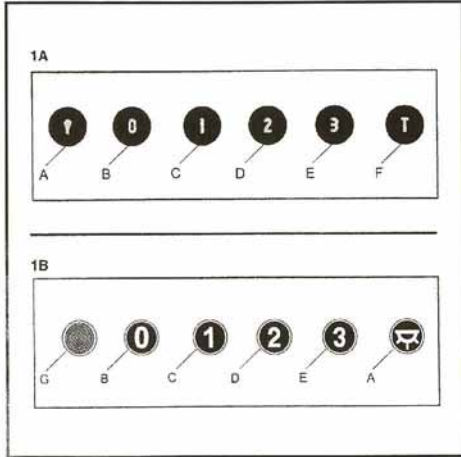


Fig. 5

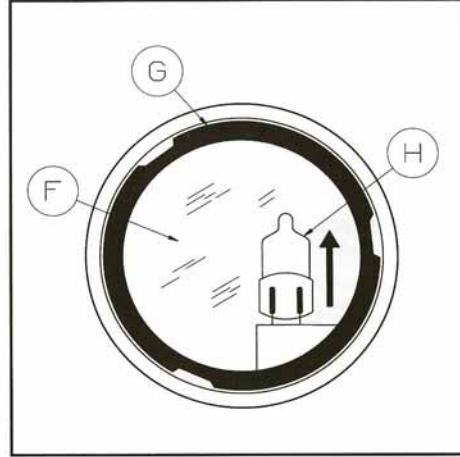


Fig. 7

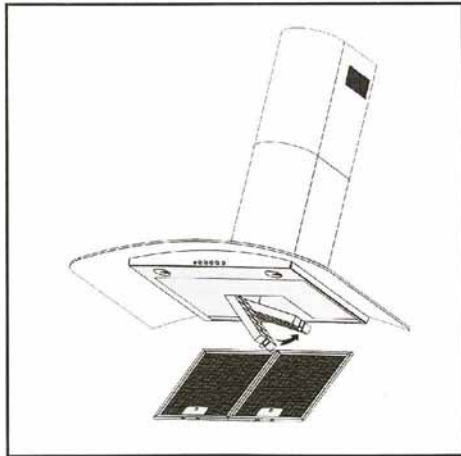


Fig. 6

## ENGLISH

### GENERAL

Carefully read the following important information regarding installation safety and maintenance. Keep this information booklet accessible for further consultations.

The appliance has been designed as an exhausting version (external exhaust) or as a filter version (internal air recycle) cooker hood.

### SAFETY PRECAUTION

- Take care when the cooker hood is operating simultaneously with an open fireplace or burner that depend on the air in the environment and are supplied by other than electrical energy, as the cooker hood removes the air from the environment which a burner or fireplace need for combustion. The negative pressure in the environment must not exceed 4 Pa ( $4 \times 10^{-5}$  bar). Provide adequate ventilation in the environment for a safe operation of the cooker hood. Follow the local laws applicable for external air evacuation.

#### • WARNING!!

In certain circumstances electrical appliances may be a danger hazard.

- A) Do not check the status of the filters while the cooker hood is operating
- B) Do not touch the light bulbs after appliance use
- C) Flambe cooking is prohibited underneath the cooker hood
- D) Avoid free flame, as it is damaging for the filters and a fire hazard
- E) Constantly check food frying to avoid that the overheated oil may become a fire hazard
- F) Disconnect the electrical plug prior to any maintenance.

### INSTALLATION INSTRUCTIONS

The appliance has been manufactured as a class II, therefore no earth cable is necessary.

The connection to the mains is carried out as follows:  
BROWN = L line  
BLUE = N neutral

If not provided, connect a plug for the electrical load indicated on the description label. Where a plug is provided, the cooker hood must be installed in order that the plug is easily accessible. An omnipolar switch with a minimum aperture of 3mm between contacts, in line with the electrical load and local standards, must be placed between the appliance and the network in the case of direct connection to the electrical network.

- The appliance must be installed at a minimum height of 650 mm from a cooker stove.

If a connection tube composed of two parts is used, the upper part must be placed outside the lower part.

Do not connect the cooker hood exhaust to the same conductor used to circulate hot air or for evacuating fumes from other appliances generated by other than an electrical source.

#### • Mounting the cooker hood to the wall

Drill holes **A-B-C-D** according to indications quoted in (fig. 3). Use screws and screw anchors suitable for wall (e.g. reinforced cement, plasterboard) for the mounting of the cooker hood. Where screws and screw anchors are supplied ensure that they are suitable for the type of wall where the cooker hood is to be mounted.

Lock in the flange connector **Y** to the cooker hood (fig. 2).

Affix the bracket **Z** to the wall via the drill holes **A** (fig. 4).

Hang the cooker hood on the wall using the drill holes **C** (fig. 3).

Fasten the cooker hood using the fastening drill holes **D** (fig. 3).

#### • Exhausting Version

Connect the flange **Y** to the discharge opening with a connecting tube (do not carry out for filter version).

Thread the upper connector **E** to the inside of the lower connector **F**; hang the two connectors inserting them vertically on the cooker hood locking the lower connector **F** to the wall using the drill holes **B** (fig. 3), unthread the upper connector **E** towards the top, locking it in with the appropriate screws in the drill holes **G** of the bracket **Z** (fig. 2) previously affixed to the wall via the drill holes **A** (fig. 3).

In order to transform your cooker hood from exhausting version to filter version, ask your local retailer for active carbon filters and then carry out instructions for mounting filter version cooker hood.

#### • Filter Version

Install the cooker hood and the two connectors as described in the paragraph mounting the exhausting version cooker hood.

To mount the filter connector refer to instructions included in the kit. If the kit is not supplied, then order the kit as an accessory from your local dealer.

The filters must be fitted to the fan unit placed inside the cooker hood (Fig. 6)

The air is replaced in the environment via the eyelets impressed on the connector **E**.

### USE AND MAINTENANCE

- It is recommended to operate the appliance prior to cooking. It is recommended to leave the appliance in operation for 15 minutes after cooking is terminated in order to completely eliminate cooking vapours and odours.

The proper function of the cooker hood is conditioned by the regularity of the maintenance operations, in particular, the active carbon filter.

- The anti-grease filters capture the grease particles suspended in the air, and are therefore subject to clogging according to the frequency of the use of the appliance.

In order to prevent fire hazard, it is recommendable to clean the filter at a maximum of 2 months by carrying out the following instructions:

- Remove the filters from the cooker hood and wash them in a solution of water and neutral liquid detergent, leaving to soak.
- Rinse thoroughly with warm water and leave to dry.

- The filters may also be washed in the dishwasher. The aluminium panels may alter in colour after several washes. This is not cause for customer complaint nor replacement of panels.

- The active carbon filters purify the air that is replaced in the environment. The filters are not washable nor re-useable and must be

replaced at maximum every four months. The saturation of the active carbon filter depends on the frequency of use of the appliance, by the type of cooking and the regularity of cleaning the anti-grease filters.

- Clean the fan and other surfaces of the cooker hood regularly using a cloth moistened with denatured alcohol or non abrasive liquid detergent.

- **COMANDS: 1A)LUMINOUS 1B)MECHANICAL** (Fig. 5) the key symbols are explained below:

**A** = LIGHT

**B** = OFF

**C** = SPEED I

**D** = SPEED II

**E** = SPEED III

**F** = AUTOMATIC STOP TIMER - 15 minutes

**G** = MOTOR WORKING indicator

The "Automatic stop timer" delays stopping of the hood, which will continue functioning for 15 minutes at the operating speed set at the time this function is activated.

To replace the bulbs within the intergrated lights; first whilst holding the interior ring **G**, apply a pressure to the round glass **F** and turn the assembly, in the direction indicated by the arrow, to remove the bulb. The bulb should be replaced with the another of the same type an rating: 12V-20W. To replace, simply follow the procedure in reverse as described above. (Figure7)

**THE MANUFACTURER DECLINES ALL RESPONSIBILITY FOR EVENTUAL DAMAGES CAUSED BY BREACHING THE ABOVE WARNINGS.**