



Campana con Visera

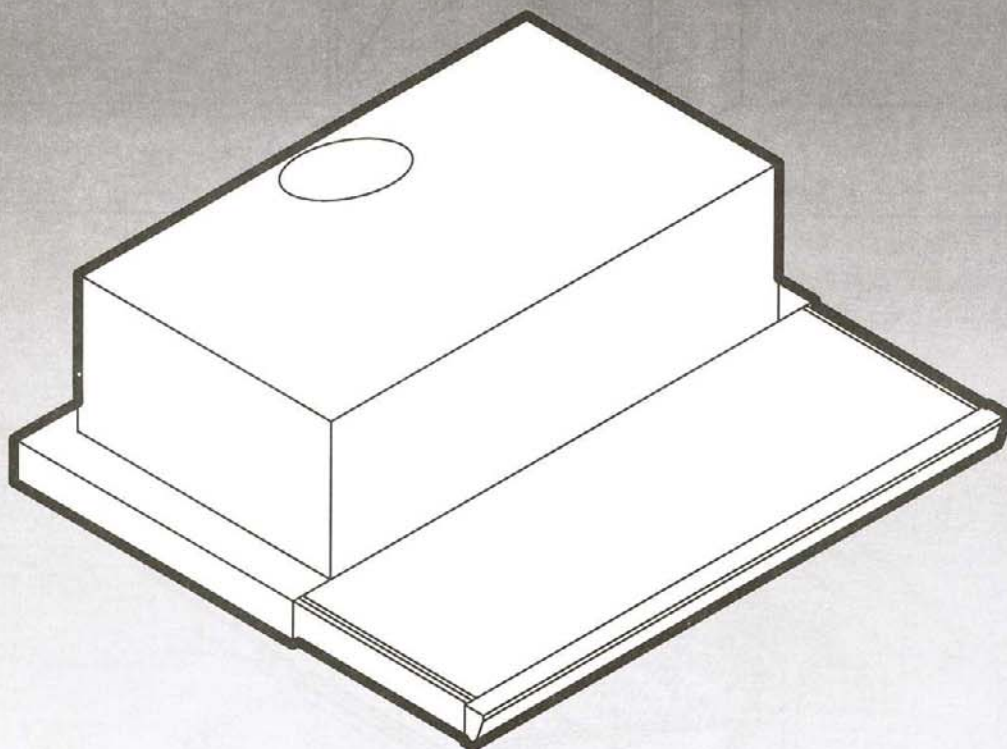
Telescópica

GET-60 N Filter

GET-60 N Filter Bimotor

GET-60 N Cristal

GET-60 N Cristal Bimotor



Instrucciones de montaje y uso

Instructions on mounting and use

Prescriptions de montage et mode d'emploi

Instrucciones de instalação e uso

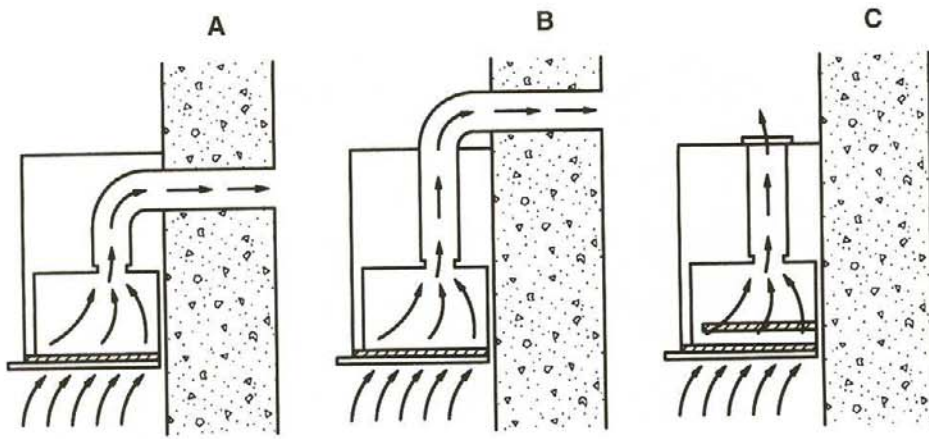


Fig. 1

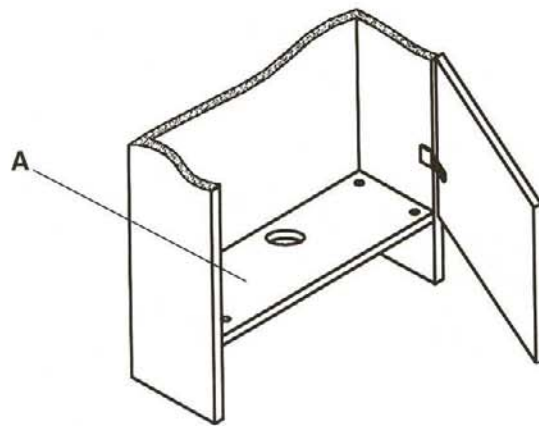


Fig. 2

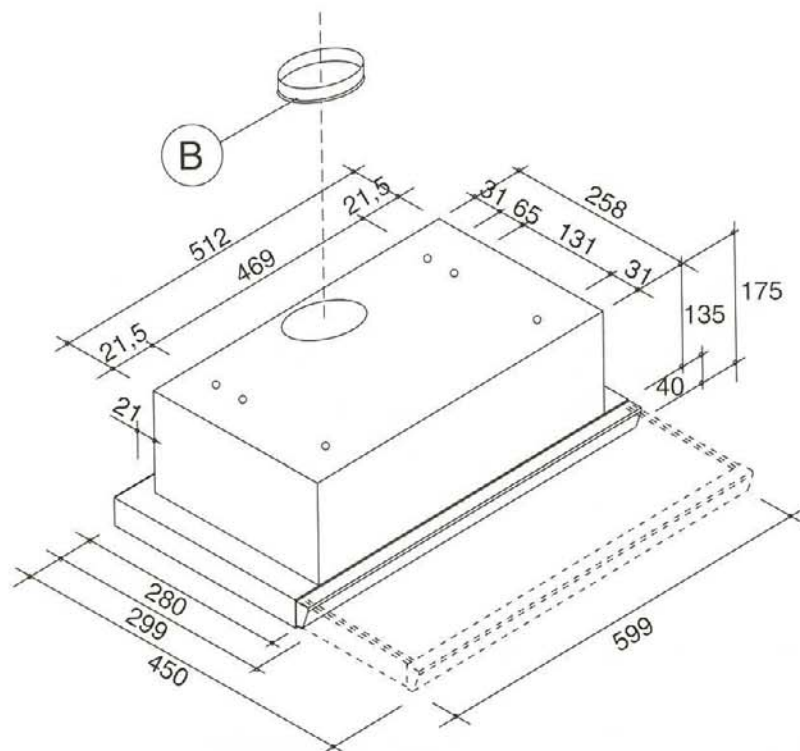


Fig. 3

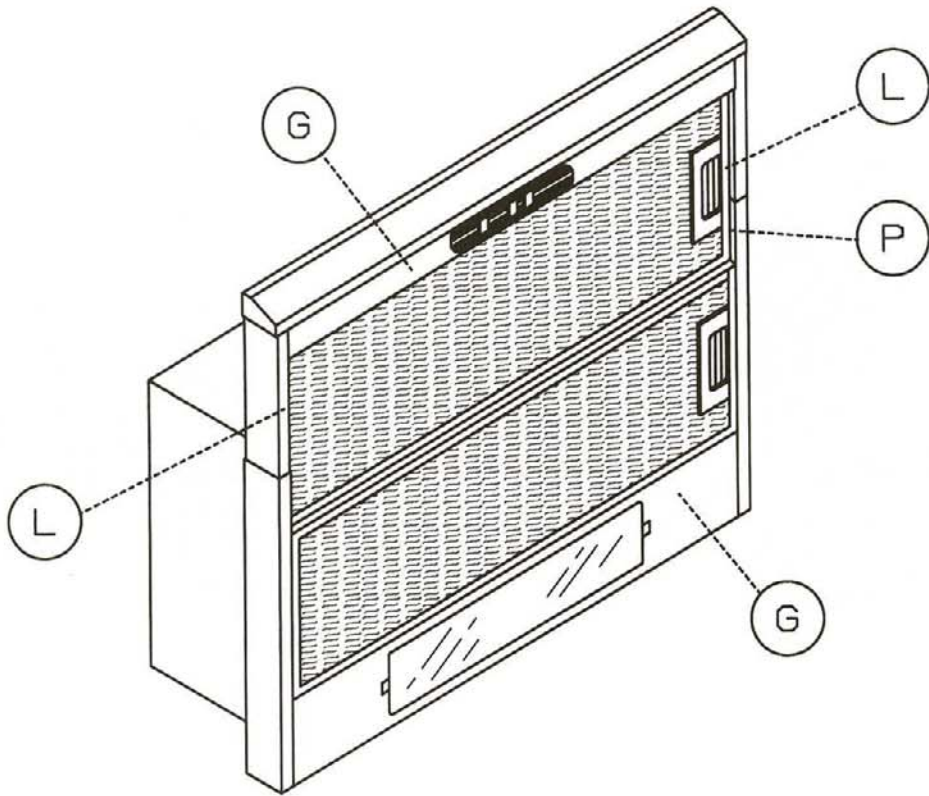


Fig. 4

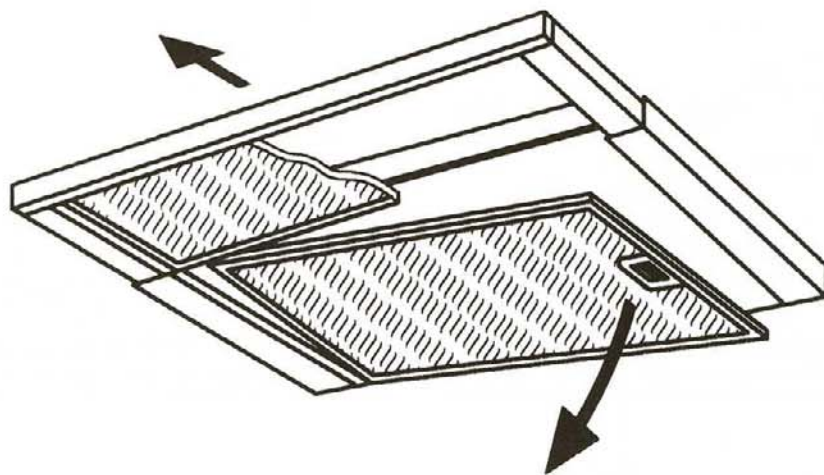


Fig. 5

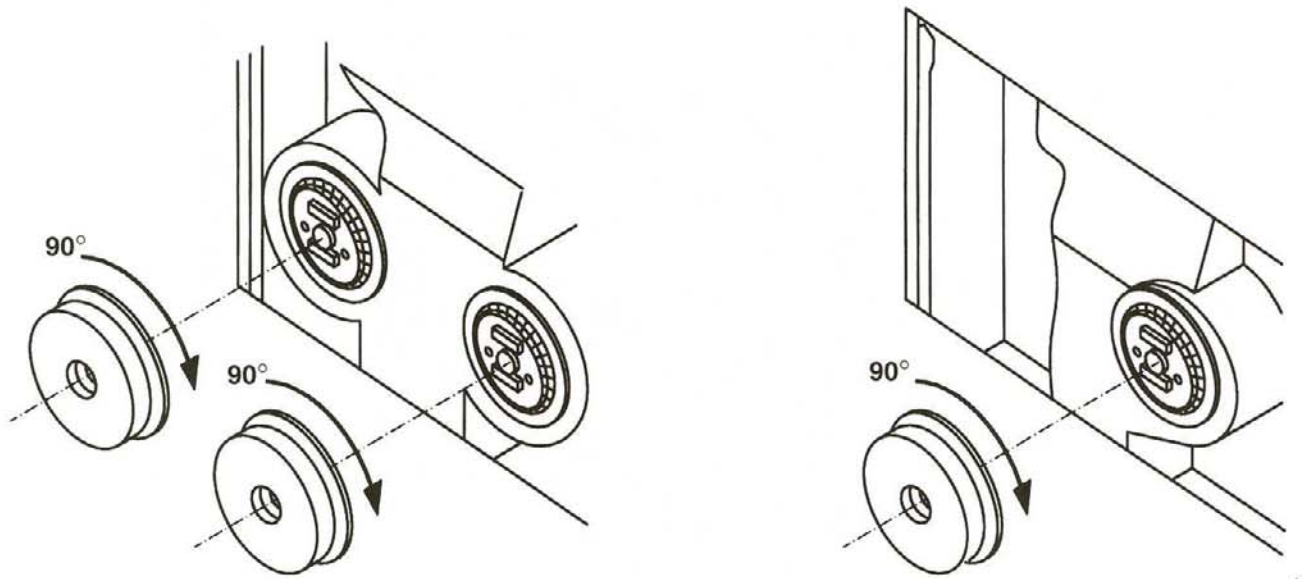


Fig. 6

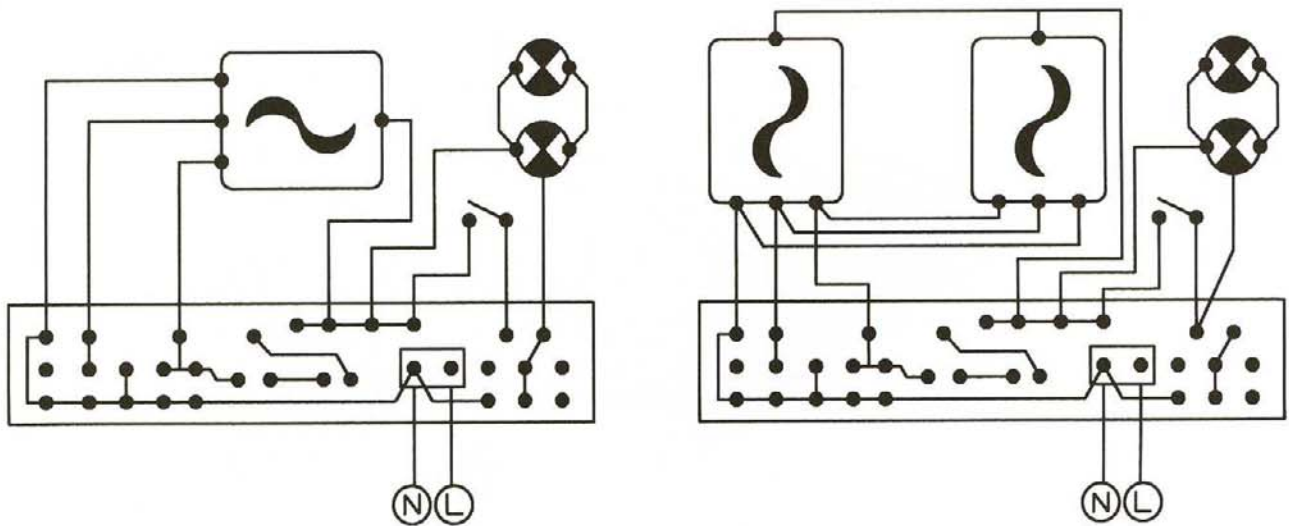


Fig. 7

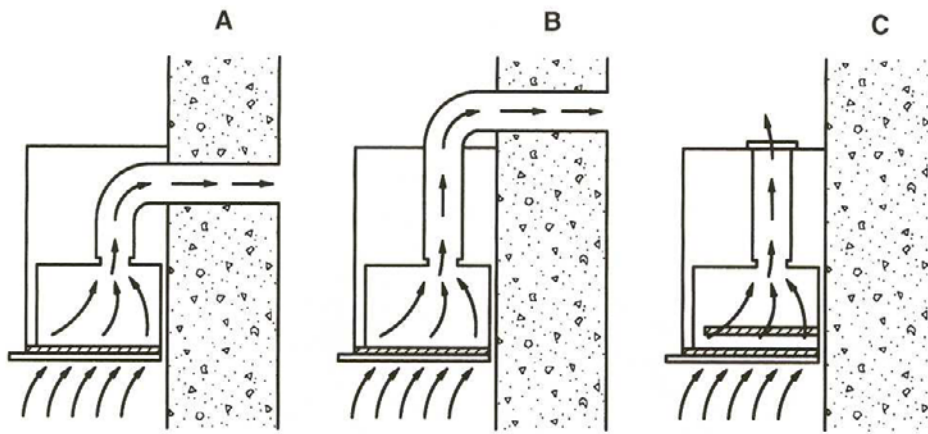


Fig. 1

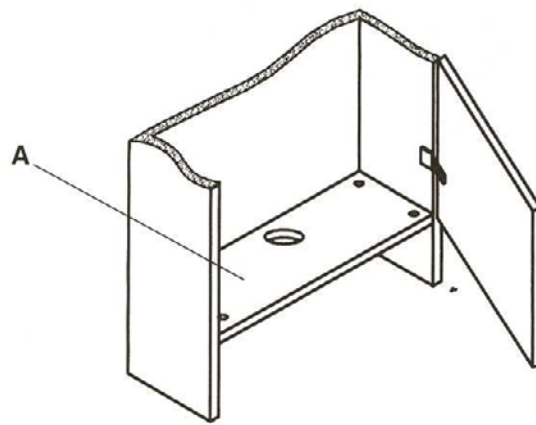


Fig. 2

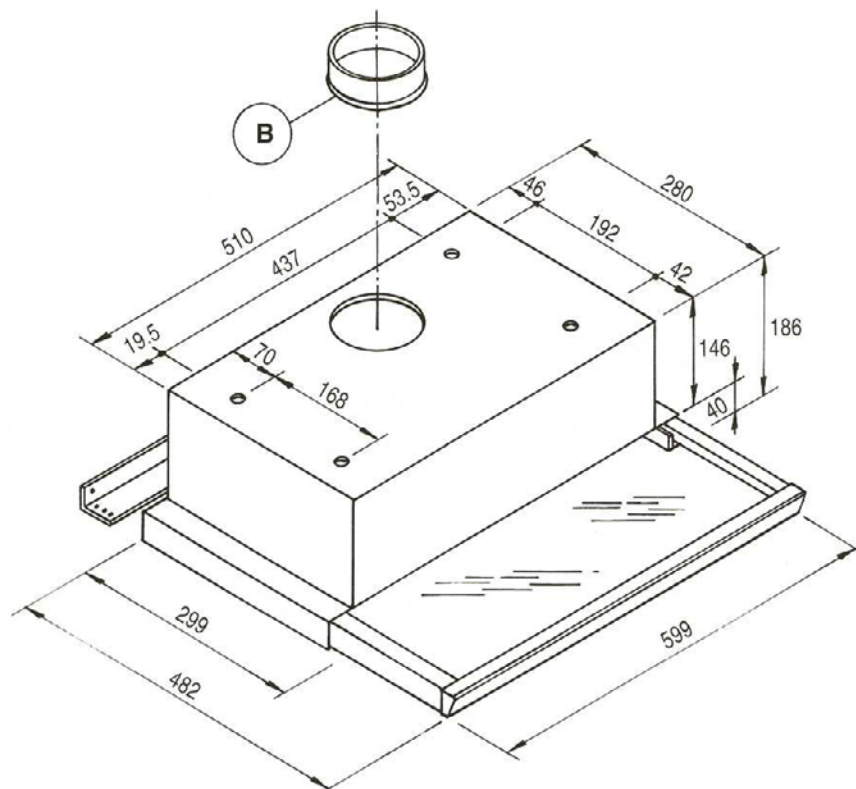


Fig. 3

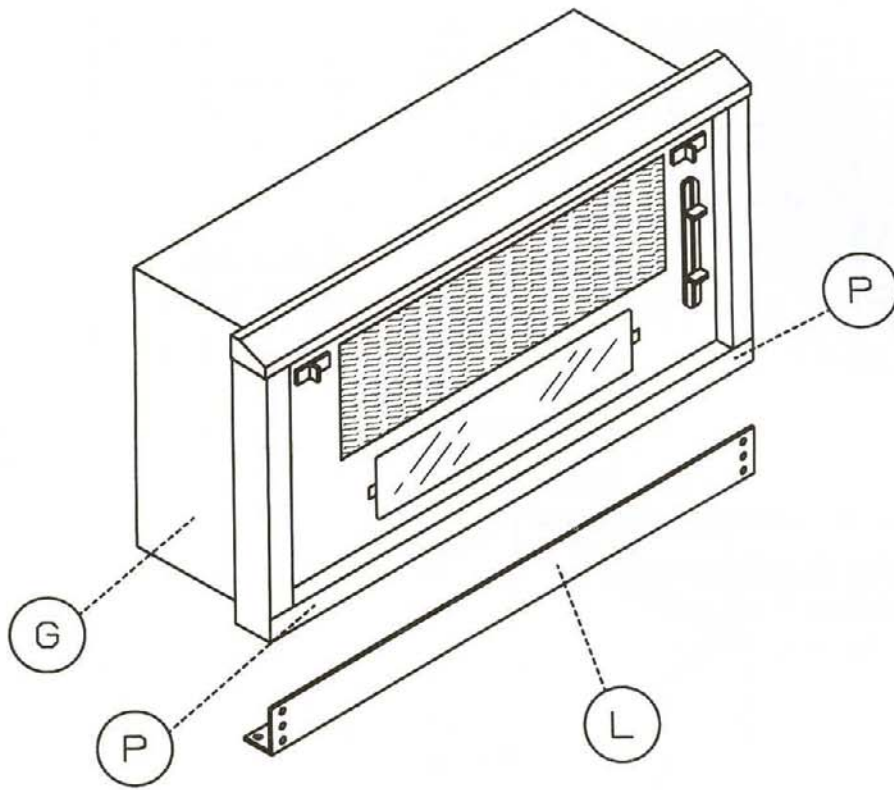


Fig. 4

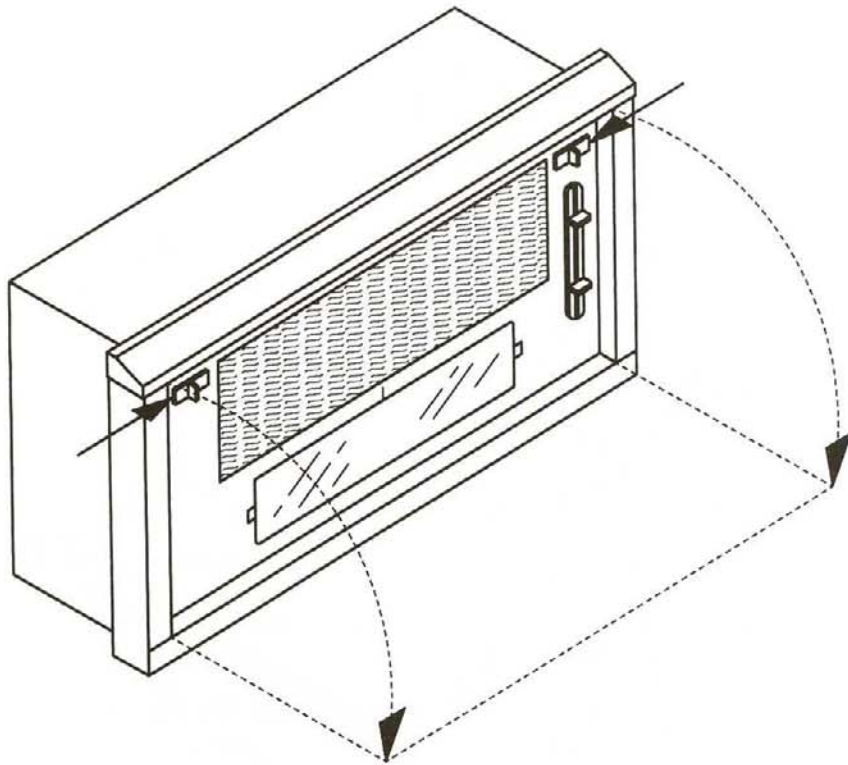


Fig. 5

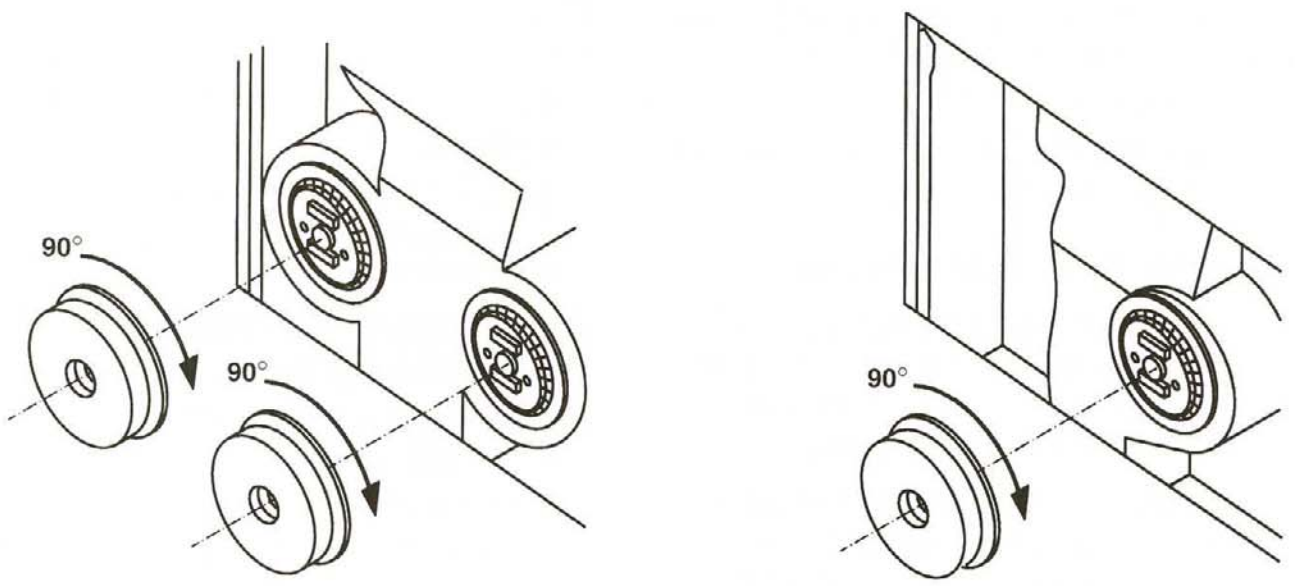


Fig. 6

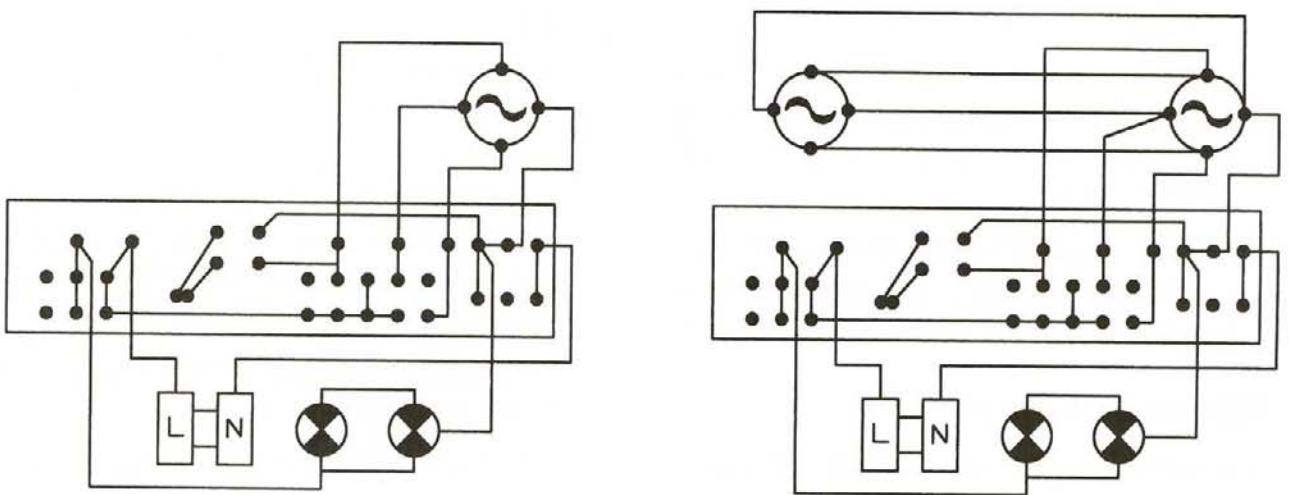


Fig. 7

Installation

The appliance has been designed as exhausting (external exhausting) or filtering hood (internal recirculation). The appliance has to be installed at a minimum height of 650 mm above the electric cookers or 750 mm above the gas or mixed ones. Should a connecting pipe composed of 2 or more parts be used, the upper part has to be outside the lower one. Do not connect the discharge pipe to a flue in which warm air circulates or which is used to remove fumes of the appliances which are powered with a different energy from the electric one. Pay attention if an exhausting hood and a burner or a fireplace depending on the air of the room and which are powered with a different energy from the electric one work at the same time, because during the aspiration the hood takes the air away from the room, that air which is necessary to the burner or the fireplace for the combustion. So for a safe working, provide for a proper ventilation of the room. For the external exhausting, conform to the laws in force in your country.

Electrical connection

The appliance is built in class II, so no wire has to be connected with the earth terminal.

The connection to the electrical mains must be made as follows:

BROWN = L line

BLUE = N neutral

if it is not supplied, fit a plug normalized on the cord for the load showed on the rating plate. In the case of a direct connection to the mains, it is necessary to place between the appliance and the mains, it is necessary to place between the appliance and the mains an omnipolar switch with minimum opening between contacts of 3 mm dimensioned for the load and corresponding with the laws in force.

ATTENTION: should the lamps not work, make sure they are well tightened.

Mounting of the hood in the lowe part of an hanging cupboard

This kind of hood has to be fitted in an hanging cupboard or in another support.

For fixing, use 4 appropriate screws for that kind of cupboard, drilling the holes corresponding to the Fig. 3. Close the room, which remains between the hood and the wall, adjusting the spacer (L) by acting on the appropriate screws (P) Fig. 4.

Changing from exhausting hood to filtering one

In order to make this change (possible also after the use of the exhausting system), demand a set of carbon filters to your dealer. Active carbon filters are necessary to deperate the air, that will be released in the room. Filters are not washable; they cannot be regenerated and have to be replaced at most every 4 months. The saturation of the activated charcoal depends on the more or less prolonged use of the hood, on the type of cooking and on the regularity of cleaning the grease filter. The filter has to be applied to the aspirating group, which is inside the hood hitting the centre of the group with it and turning it of 90 degrees until the stop click is heard to lock it. Remove the grill (G) Fig. 4 to carry out this operation.

The air is released in the room through a connecting pipe, which goes through the hanging cupboard and is connected to the connecting ring supplied (B) Fig. 3.

Use and maintenance

It is advisable to let the appliance work for 15 minutes after the cooking of the food in order to remove completely the fumes. The effective functioning of the hood depends on the regularity with which the maintenance

operations are carried out, in particular those of the anti-grease filter and of the active carbon filter.

The anti-grease filter, which rests on the grill, has the function of catching the particules suspended on the air; so it is subject to get clogged at various intervals, according to the use of the appliance.

In any case at most after two months, it is necessary to clean the filter by doing the following operations:

- Remove the filter from the grill and wash it with a solution of water and neutral liquid detergent, allowing the dirt to soften.
- Rinse thoroughly with lukewarm water; allow to dry without twisting and apply it to the grill.

If the appliance is provided with a metal filter, it can be washed also in the dishwasher, dried and reapplied to the grill.

In case the washing instructions of the filter should not be followed, it could burst into flames.

Clean frequently all the deposits on the fan and on all the other surfaces, using a cloth moistened by methylated spirits or neutral and not abrasive fluid detergent.

WARNING!!

UNDER CERTAIN CIRCUMSTANCES
DOMESTIC APPLIANCES MAY BE
DANGEROUS.

- Do not check filters with hood working.
- Do not touch the lamps after a prolonged use of the appliance.
- No food must be cooked flambé underneath the hood.
- The use of an unprotected flame is dangerous for the filters and could cause fires.

- Watch constantly the fried food in order to avoid that the cooking oil flares up.
- Before performing any maintenance operation, disconnect the hood from the mains.

The Manufacturers refuse to accept any responsibility for eventual damages, because of failure to observe the above instructions.

The appliance complies with the directions EMC 89/336/EEC revised 92/31/EEC and 93/68/EEC.