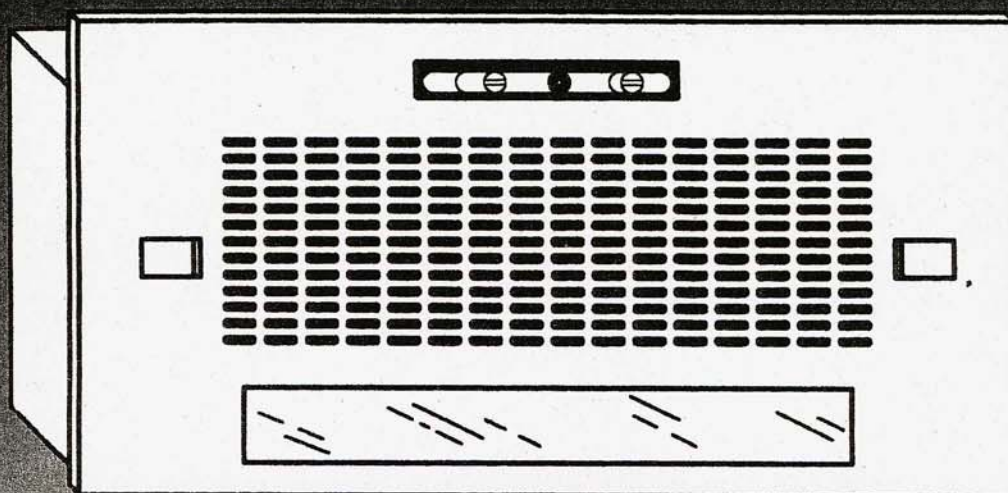




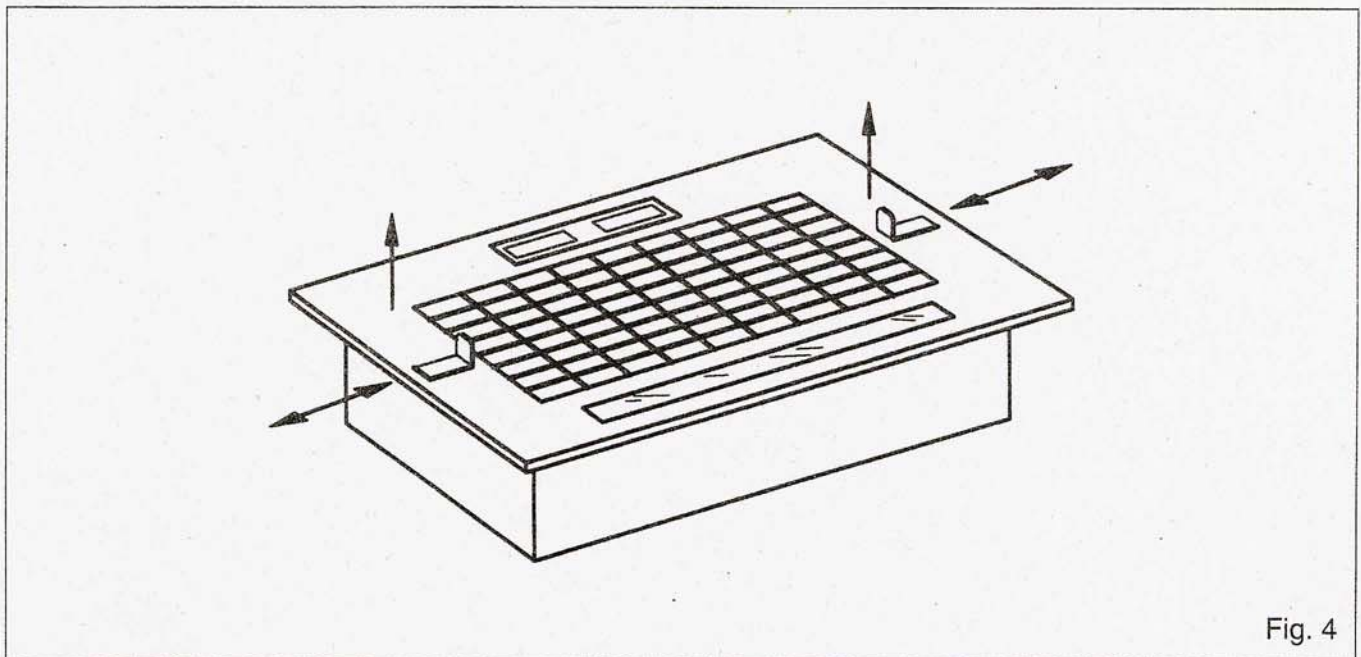
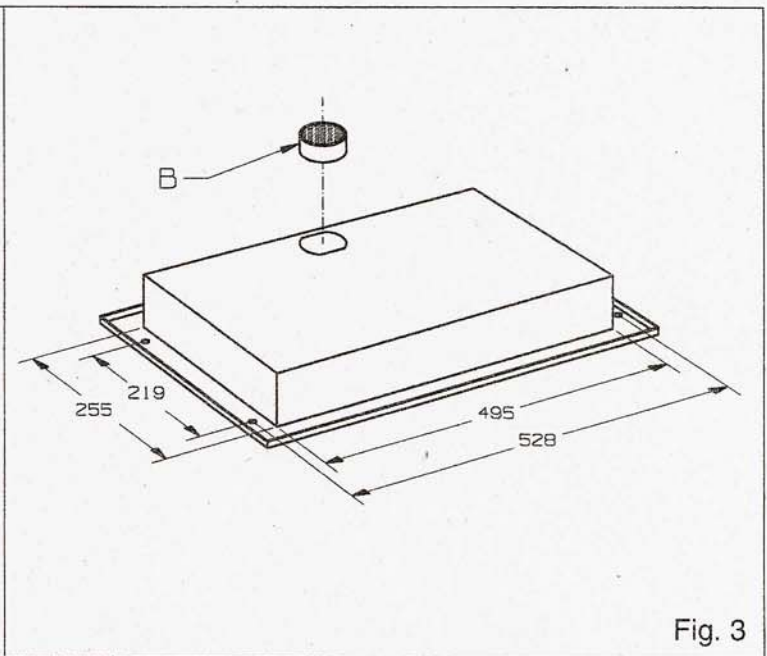
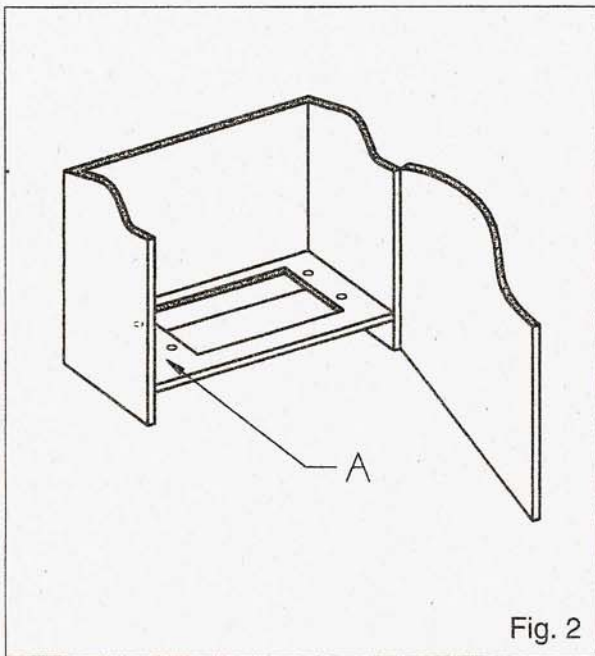
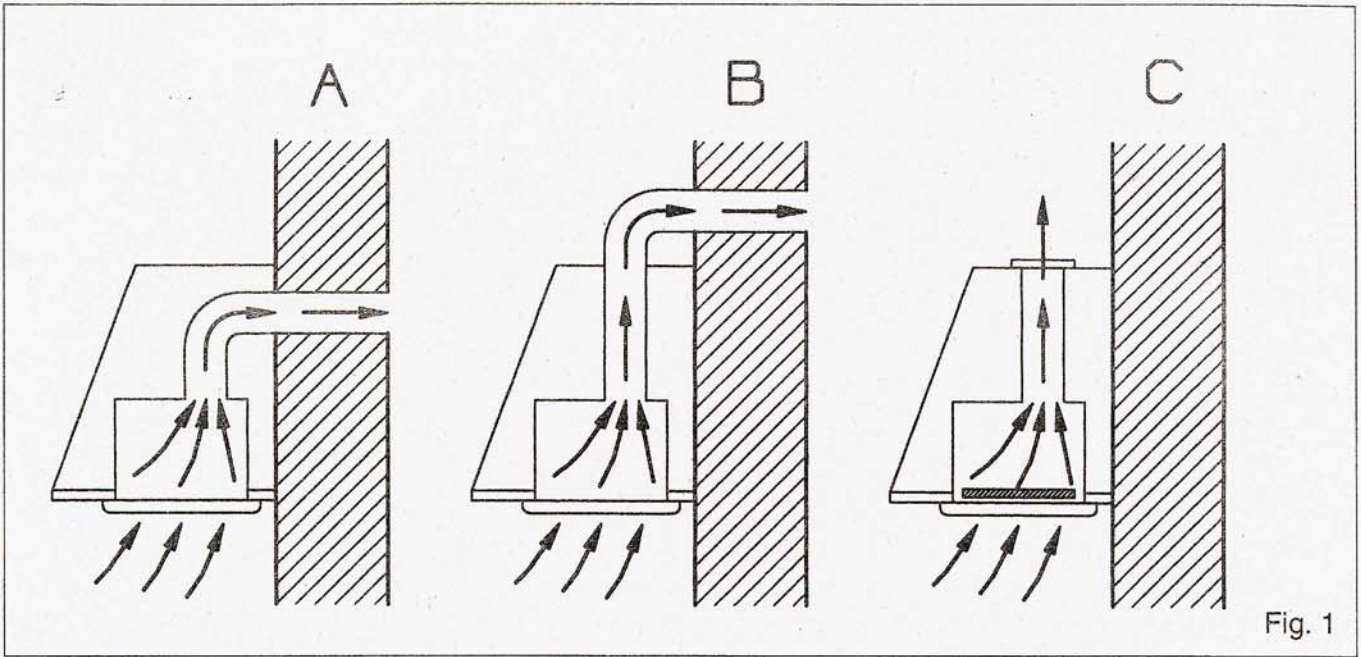
Campanas Empotrables

GE-350 N

GE-350 N Bimotor



Instrucciones de montaje y uso.
Instructions on mounting and use.
Prescriptions de montage et mode d'emploi.



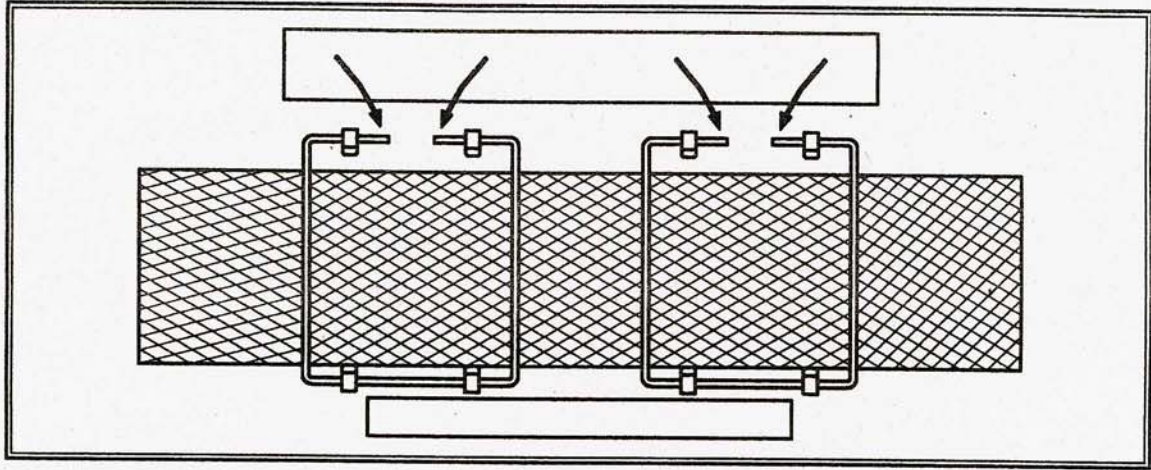


Fig. 5

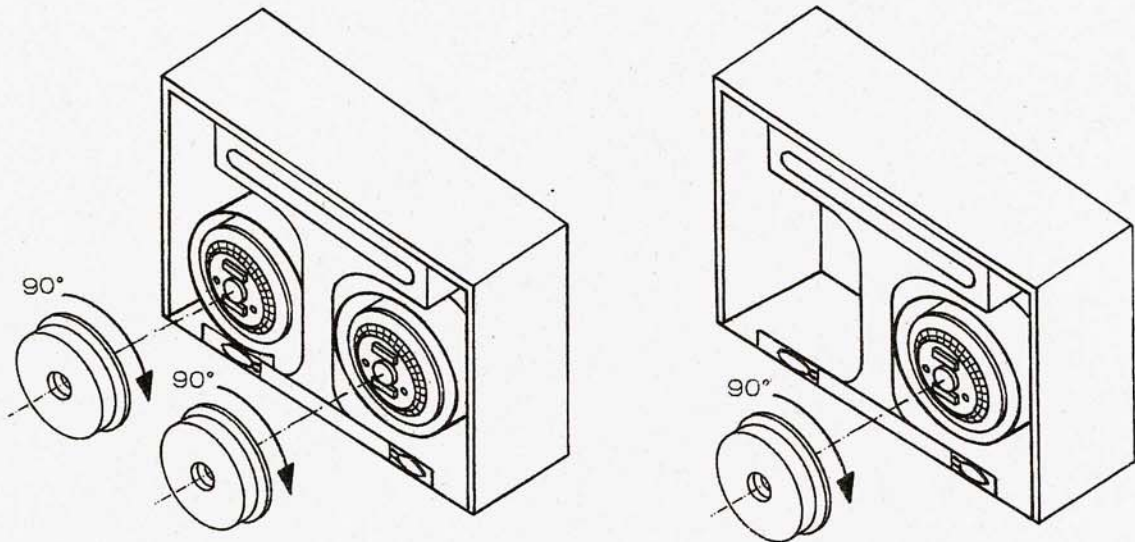
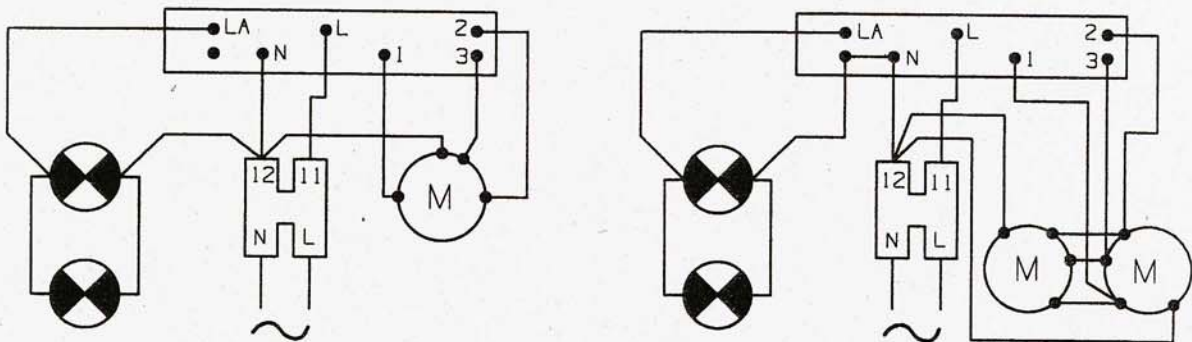


Fig. 6



This model may be used as an exhaust or filter hood.

Since these instructions cover more than one type of hood within the same series, it may be that reference is made to components that do not form part of the hood that you are installing.

If evacuation is available (exhaust duct or air flue) we recommend using the hood in the exhaust version to discharge all the kitchen vapours and odours outdoors (Fig. 1).

EXHAUST VERSION

The hood must be connected by the spigot (supplied as part of the hood) to a duct to vent all the exhausted air outside the kitchen. Over horizontal areas, if any, the duct must be slanted out about 10% upwards of the hood in direction towards the outside.

NOTE: The shorter the exhaust duct is and the fewer bends there are in the more effective will the cooker hood be.

When using the exhaust version, follow these rules:

Do not connect the exhaust hood to chimneys, flues and air ducts serving the room.

Before venting into exhaust flues and ducts no longer in use, ask for the approval of the person or agency responsible for the building. The evacuated air must not be led into a warm air duct.

SUGGESTIONS FOR USING THE HOOD IN EXHAUST POSITION

When an exhaust hood and a heat source requiring ambient air (e.g. gas, oil, coal stoves, etc.) are used at the same time, attention is required because the air necessary for combustion is exhausted from the room through the hood and this creates depression.

There is no such danger when the maximum depression in the room is 0,04 mbar. In this condition, make openings in the room which cannot be closed (doors, windows, etc. are not sufficient) and through which the air necessary for combustion can freely flow.

NOTE: All the exhaust ductwork in the apartment or house should be studied. In case of doubts, get advice or authorization from the person or agency responsible for the building. When using gas burners, gas ovens, etc., as well as when using the hood in the filter version, these precautions are not necessary.

FILTER VERSION

This version is used when no exhaust duct to the outdoors is available. The air is purified by an active carbon filter and recycled into the room. Make sure the carbon odourfilter is inserted.

The filter hood outlet spigot must be connected to a duct which passes through the cabinet and discharges the filtered air out of the same.

INSTALLATION

The hood is designed for installation in kitchen cabinets and must be mounted over the center of the cooking area.

The minimum distance between the cooking area and the under part of the hood must be 650 mm.

NOTE: The distance however, is subject to the safety rules in effect in the various countries.

To install the hood please consider the following dimensions:

50 = 467 x 259 mm 60 = 507 x 259 mm 90 = 687 x 259 mm

1. Put the panel, cut according to the above dimensions, on the hood (Fig. 2, 3).
2. Prepare a hole for a tube of 105 or 130 mm diameter according to the provided spigot.
3. Set the spigot on the upper hole.
4. Take out the grille from the hood (see description for changing the grease filter) and place the appliance under the opening (Fig. 4).
5. Fix the tube to the spigot and connect the electric cable.
6. Insert the appliance into the cupboard and fix it in the drillholes by means of the four provided screws.

ELECTRIC CONNECTION

Make sure the supply voltage ratings correspond with those stated on the appliance rating label.

This appliance is double insulated to not connect to earth.

Attention: If the appliance does not have a plug, when making a fixed installation, a culor device must be used to assure omnipolar disconnection of the mains. The cutoff distance of the contacts must be at least 3 mm.

OPERATING INSTRUCTIONS

The hood has the following controls: 3/1 speed switch
3/2 light switch

MAINTENANCE

NOTE: When performing maintenance operations, disconnect the plug from the socket. Vapours and odours in the air are exhausted first through the grease filter and then (if the hood is in filter version) through the odour filter. The efficiency of the appliance depends on the condition of the filters.

GREASE FILTER

This absorbs vapour-suspendend grease particles and protects the kitchen and furniture from greasy residues. There are three different types:

1. Acrylic - It can be washed at more or less frequent intervals depending on how often he hood is used. In any case, it should be washed every thirty days of hood operation. To do so, wash the filter by hand in warm soapy water (do not wring the filter, press it in a cloth to dry).
2. Special paper (not washable) with red diagonal lines on the top of the shest. Change the filter when the diagonal lines are visible from below through the grille holes.
3. Aluminium layers - The filter should be washed every 10-15 days (in normal operating conditions). Dip the filter into a degreaser solution or put it in the dish washer. Make sure not to damage the filter which is made of several layers of thin alloy, by hiting or crushing it.

ACTIVE CARBON ODOUR FILTER

The exhausted air passes through the active carbon filter and is cleaned. This filter cannot be washed and must be replaced depending on how often the hood is used (about weice a year).

CHANGING THE GREASE AND ODOUR FILTERS

1. Press the 2 grips one towards the other (Fig. 5) and unhook the grille.
2. Take off the filter retainings (Fig. 5) and after this the grease filter.
3. In order to change the carbon filter it is sufficient turn counter clockwise (Fig. 6).

Clean the outside of the hood with a spinge soaked with liquid neutral detergent or with a cloth soaked with denatured athyl alcohol. Do not use products containing abrasives. If the lamps fail to light when operating the switch, make sure they are screwed in before calling a technician.

NOTE: The lamps must be only of «candle» type. Never use lamps with higher rating than that indicated on the lamp lens.

SAFETY RULES

Do not do any flambe cooking underneath the hood.

When frying, never leave the pan alone because the cooking oil could flare up. Clean all the surfaces frequently to avoik danger or fire. To do so use a cloth or a brush soaked in denatured ethyl alcohol. It is also important to remove and clean or substitute frequently all filters installed in the hood.