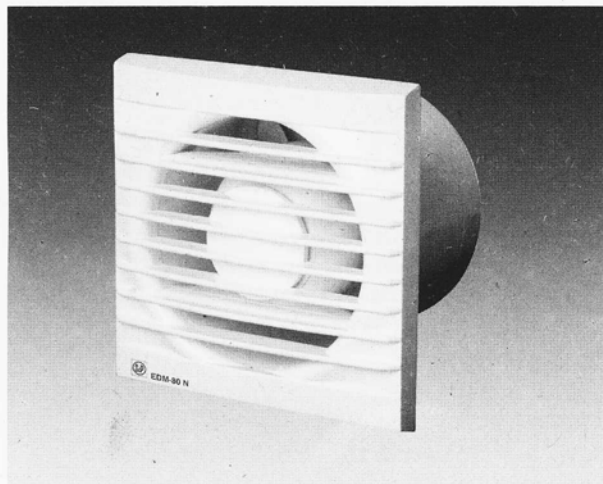
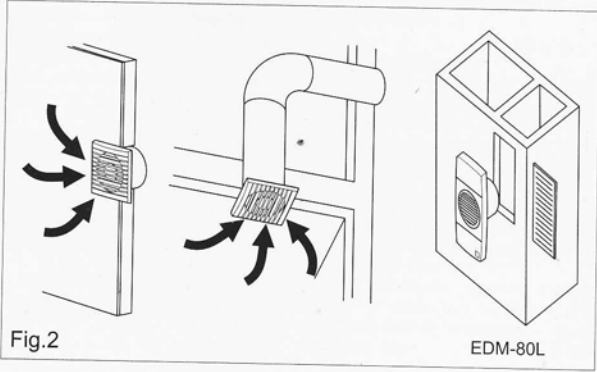
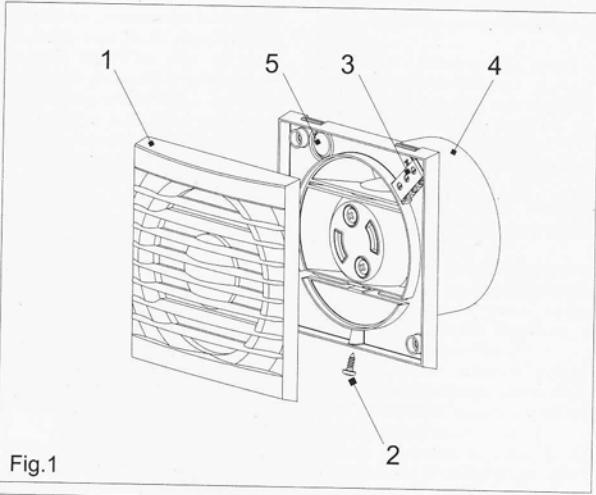


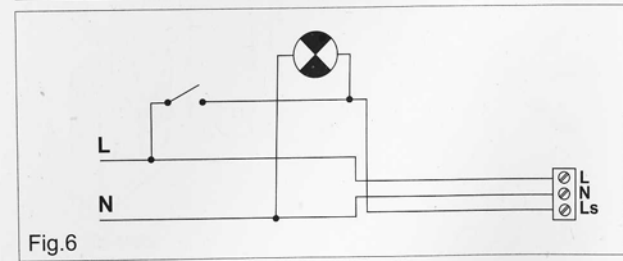
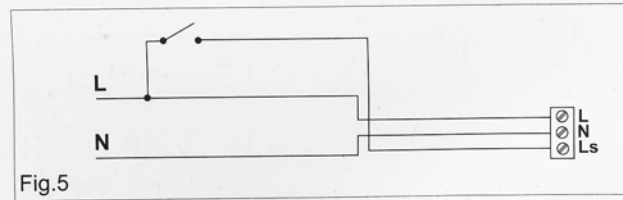
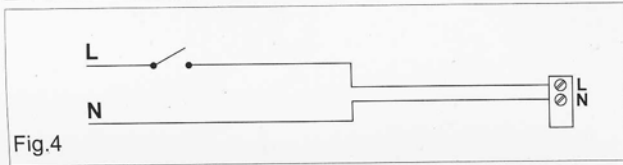
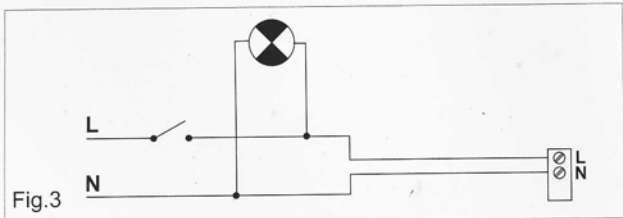


EDM-80N

Instrucciones de montaje
Instruction leaflet
Notice de montage
Montageanweisungen
Montage-en gebruiksaanwijzing
Instrucções para a montagem
Istruzioni per l'installazione
Instrukcja obsługi
Návod







ENGLISH

EDM-80N Axial Extractor Fans

The EDM-80N extractor fan range is manufactured to the high standards of production and quality as laid down by the international Quality Standard ISO 9001. All components have been checked and every one of the final products will have been individually tested at the end of the manufacturing process.

On receipt of the product we recommend that you to check the following :

- 1- That it is the correct size.
- 2- That it is the correct model.
- 3- That the details on the rating label are those you require: voltage, frequency ...

The installation must be carried out in accordance with the electrical standards in force in your country.

Installation

IMPORTANT: Before installing and wiring the unit, ensure that the main supply is disconnected.

Fig. 1:

- 1 : Protection grille
- 2 : Fixing screw
- 3 : Connection terminals
- 4 : Outlet with backdraught shutter
- 5 : Cable entry

The DECOR-100 is suitable for wall or ceiling mounting and can either discharge directly to the outside or via an individual or central ducting system (see Fig. 2).

The unit can be mounted on the wall or ceiling using the 2 rubber blocks and the screws provided. Make a hole in the wall or ceiling of 100 mm dia.

If the unit is to be installed with individual ducting, use a standard 100 mm dia. duct.

Undo the two grille fixing screws (1).

Ensure that there are no obstructions to the airflow and that the impeller turns freely.

Fix the extractor to the wall in such a way that it is not distorted in order to avoid noise generation or problems with the rotation of the impeller. Introduce the mains cable through the cable entry (5) and fix it to the wall so that the fixing screw (2) is above.

Connect the electrical wiring as set out below and then mount the protection grille (1) and tighten the screw (2).

Electrical connection

The EDM-80N is an extractor designed for a single phase supply, with voltage and frequency as indicated on the rating plate of the unit. The units are manufactured with double electrical insulation (Class II) and therefore they do not need an earth connection.

The electrical installation must include a double pole switch with a contact clearance of at least 3 mm. The electrical cable must enter the EDM-80N through the cable entry (5).

Once the cable has been introduced proceed using the electrical wiring diagram applicable to the selected model.

EDM-80N

For these models use the following diagrams:

Fig.3 : Switching the extractor through the light switch.

Fig.4 : To switch the fan through an independent switch.

EDM-80NT

These models are provided with a timer. The timer allows the fan to continue to operate for the selected period after the switch has been turned off (fig.5).

Fig.6 shows how to connect the fan with timer utilising the same switch as for the lighting.

The timer is fixed on 8 minutes.

Maintenance

Before maintenance, ensure that the unit is disconnected from the mains electrical supply .

The extractor fan only requires periodical cleaning using a cloth lightly impregnated with a soft detergent.

After Sales Service

We recommend you not to try to dismantle or remove any other parts than those mentioned as any

tampering would automatically cancel the S&P guarantee. If you detect any fault, contact your S&P dealer.

(S&P reserves the right to alter specifications without notice)