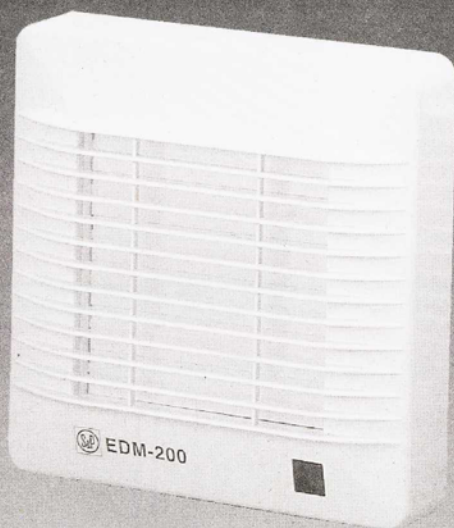
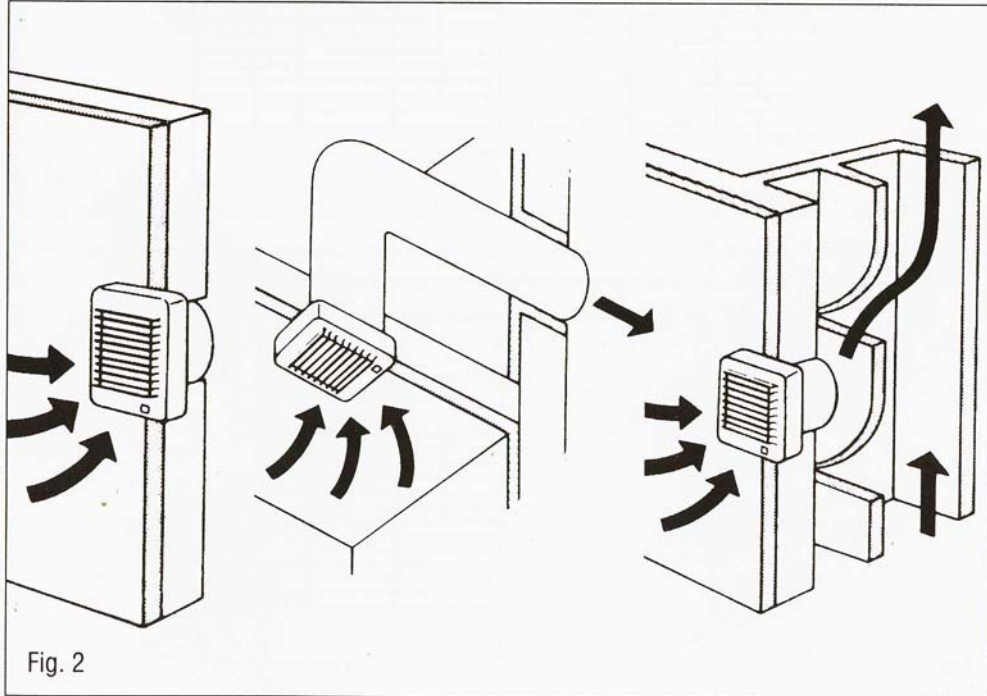
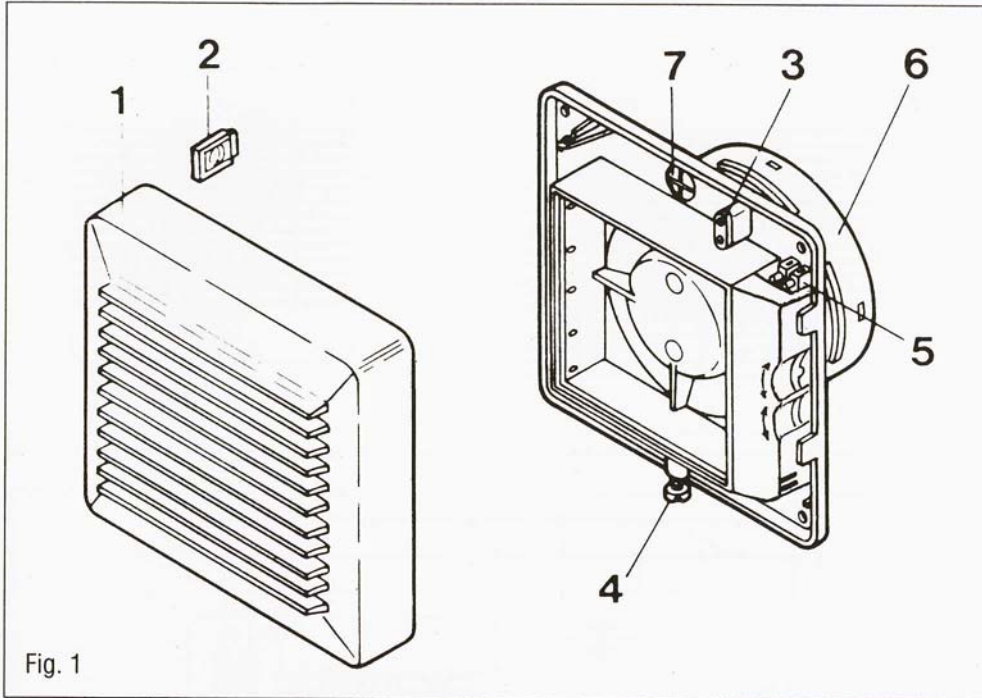


**EDM-200**



**Instrucciones de uso  
User instructions  
Notice d'utilisation  
Montageanweisungen  
Montage-Gebruiksaanwijzing  
Instruções de utilização  
Användar instruktion  
Instrukcja obsługi  
Libretto istruzioni**



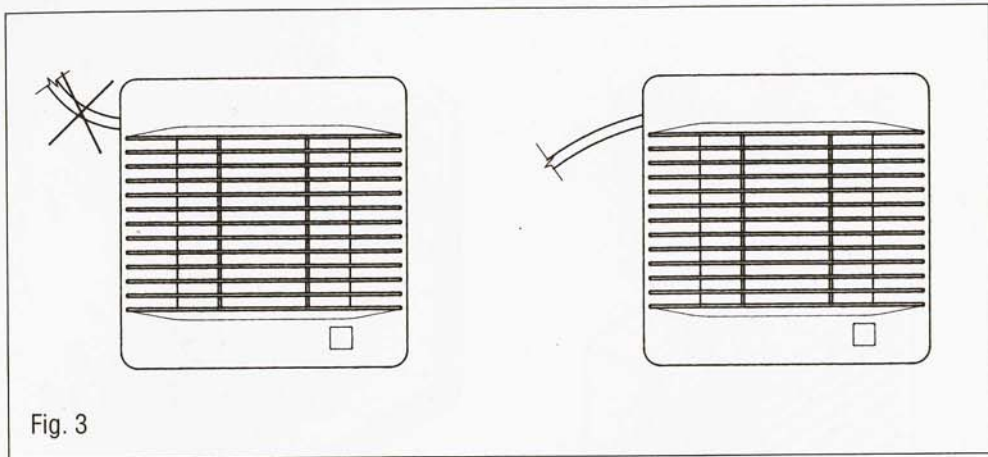


Fig. 3

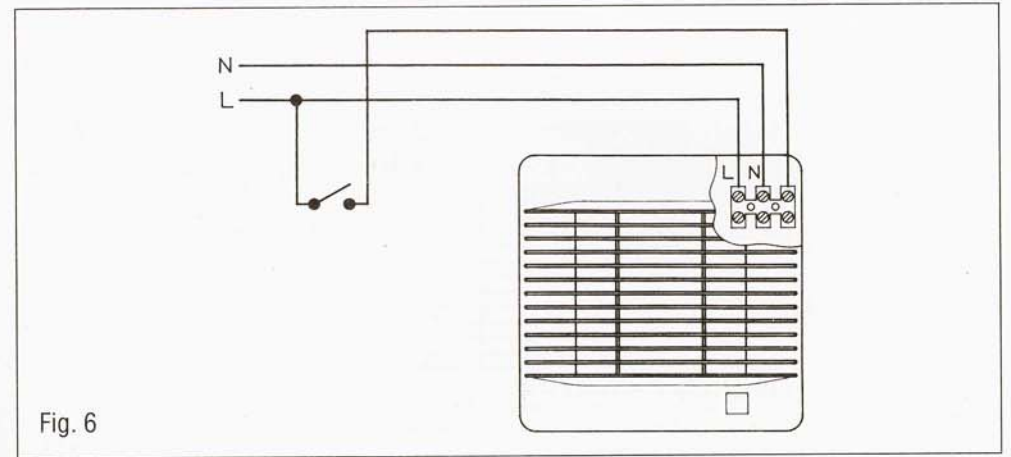


Fig. 6

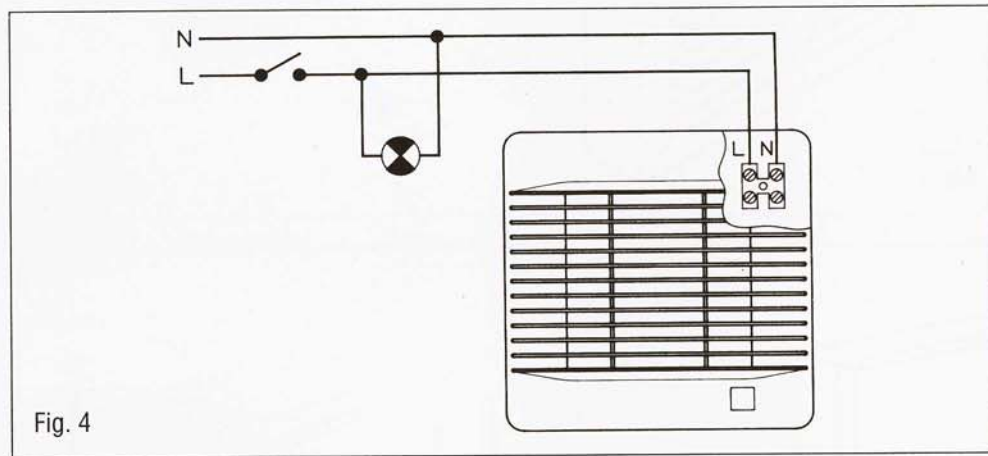


Fig. 4

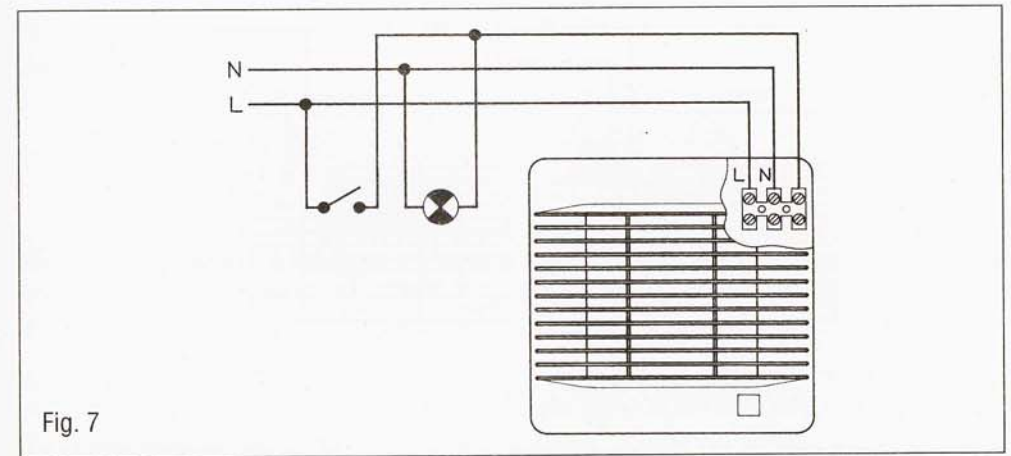


Fig. 7

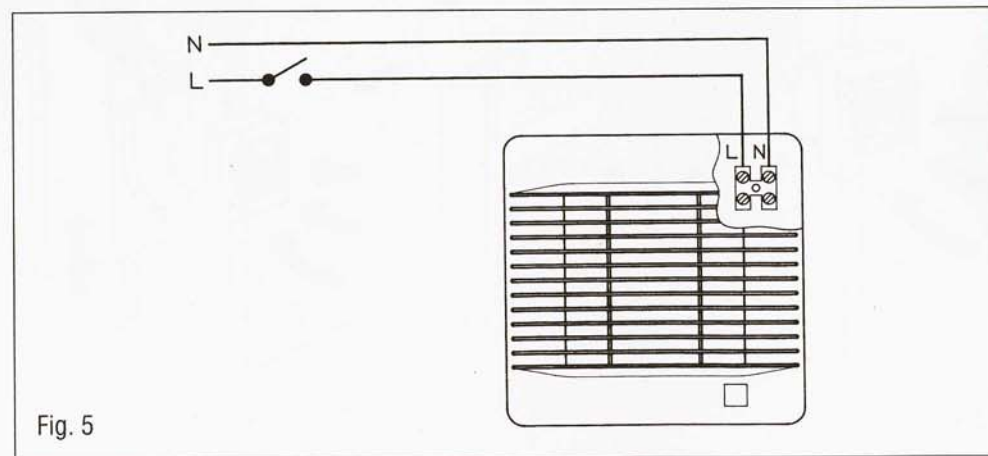


Fig. 5

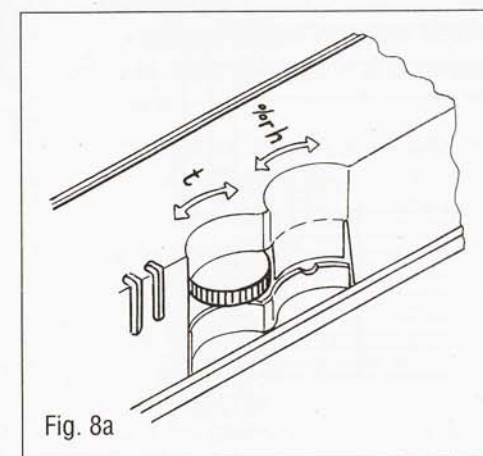


Fig. 8a

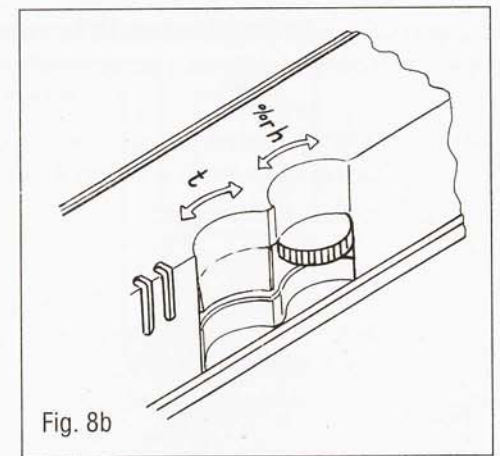


Fig. 8b

## ENGLISH

### EDM Axial Extractors

The EDM-200 range extractors have been manufactured to the rigorous standards of production and quality as laid down by the international Quality Standards ISO 9001. All the components have been checked and all the final products have been tested at the end of the manufacturing process.

We recommend you to check the following when receiving this product:

- 1-That it is the correct size.
- 2-That it is the correct model.
- 3-That the details on the rating label are those you require: voltage, frequency...

The installation must be in accordance with the electrical standards in force in your country.

### Installation

**IMPORTANT:** Before installing and wiring the EDM, ensure that the main supply is disconnected.

Fig. 1:

- |                      |                         |
|----------------------|-------------------------|
| 1- Protection grille | 5- Connection terminals |
| 2- Cable entry       | 6- Outlet               |
| 3- Flange            | 7- Slot                 |
| 4- Fixing screw      |                         |

The EDM can be installed on wall or ceiling, and the discharge can be made direct to the outside or to a ducting (individual or shunt, fig. 2).

The hole to be made on the wall or the ceiling must have the following diameter: 125 mm

Loosen the screw (4) fixing the grille (1). Bind the adhesive tape supplied around the outlet (6).

If the installation is made to an individual ducting, use standard ducting: 120 or 125 mm

Ensure that there are no obstructions to the airflow and that the impeller turns freely.

Fix the extractor to the wall with the 4 plugs and screws supplied in the packaging. The unit must be fixed in such a way that it is not stressed, to avoid noise generation or problems in the rotation of the impeller. Connect the electrical wiring as explained hereafter and then mount the protection grille and fixed it by tightening the screw (4).

### **Electrical connection**

The EDM is an extractor designed for a single phase supply, with voltage and frequency as indicated on the rating plate of the unit. The units are made with

double electrical insulation (Class II) and therefore they do not need an earth connection.

The electrical installation must include a double pole switch with a contact clearance of at least 3 mm.

The electrical cable must be introduced to the EDM through the slot (7) if the wire is within the wall, or through the cable entry (2) if the installation is with a surface mounted cable; in this case, the cable must be introduced as shown on Fig. 3b and not as shown on Fig. 3a.

Once the cable has been introduced, fix it with the flange (3) and proceed to the appropriate electrical wiring depending on the EDM model.

### **EDM models S and C**

For these models use the following diagrams:

Fig. 4- Switching the extractor through the light switch.

Fig. 5- To switch the fan through an independent switch.

### **EDM models T, CT and CR**

Models fitted with fixed not adjustable timer (T and CT) or adjustable (CR). The timer enables the extractor to continue running during the time delay, after the switch has been switched off (Fig. 6). The diagram on Fig. 7 shows how to connect a unit fitted with timer using the light switch.

**WARNING: Models T and CT require a few second delay before the extractor operates.**

Model CR has an adjustable timer.

To adjust the timer, turn the rotary switch on the Printed Circuit Board (Fig. 8a).

- To decrease the time delay turn it Counter Clockwise (CCW).
- To increase the time delay turn it Clockwise (CW).

### **EDM models C, CT, CR, and CH**

These models are fitted with automatic shutter.

**WARNING: The opening of the shutter is facilitated by means of a thermal system that needs some seconds to open completely.**

### **EDM models H and CH**

Models H and CH are provided with an electronic hygrostat which can be adjusted from 60 to 90% RH (% relative humidity). They are fitted with a pullcord switch (IC) enabling override of the fan when the relative humidity level in the room is lower than the set % RH value.

A variable % RH rotary switch within the fan can be adjusted after removing the grille (Fig. 8b).

Alternatively, the EDM-H and CH can be powered by the light switch in preference to the pull cord switch.

#### Operation

##### **Case 1:** Automatic operation (Fig. 9)

In this mode the pull cord switch is enclosed behind the grille, in the «off» position (The pilot lamp will not switch on).

The hygrostat causes the extractor to operate automatically when the humidity level in the room is higher than the level shown on the variable rotary switch. Likewise, the extractor will stop automatically when the humidity level drops below the selected level.

**WARNING: When the extractor is operating by hygrostat, the red pilot lamp on the grille of the EDM is not on.**

##### **Case 2:** Automatic operation with pull cord override facility (Fig. 10).

Automatic operation as in case 1 with the facility to override the hygrostat by means of the pull cord when the humidity level in the room is lower than the selected level on the rotary switch. When the pull cord is used to power the fan the red pilot lamp (L) turns on.

##### **Case 3:** Automatic operation with facility to override by light switch (Fig. 11).

The operation of the extractor is the same as in case 2 although, the EDM is connected to the light switch (IL) instead of the pull cord.

In this case leave the pullcord inside the fan in the «off» position.

**WARNING: When the relative humidity level in the room is higher than the level selected on the rotary switch, the automatic operation overrides the manual operations (i.e.pull cord or light switch), that is, the extractor cannot be stopped by either the pull cord or the light switch.**

#### **Maintenance**

The extractor needs only a periodical cleaning using a cloth lightly impregnated with a soft detergent.

#### **After Sales Service**

We recommend you not to dismantle or remove any other parts than those mentioned as any tampering would automatically cancel the S&P guarantee. If you detect any fault, contact your S&P dealer.

S&P reserves the right to alter specifications without notice.