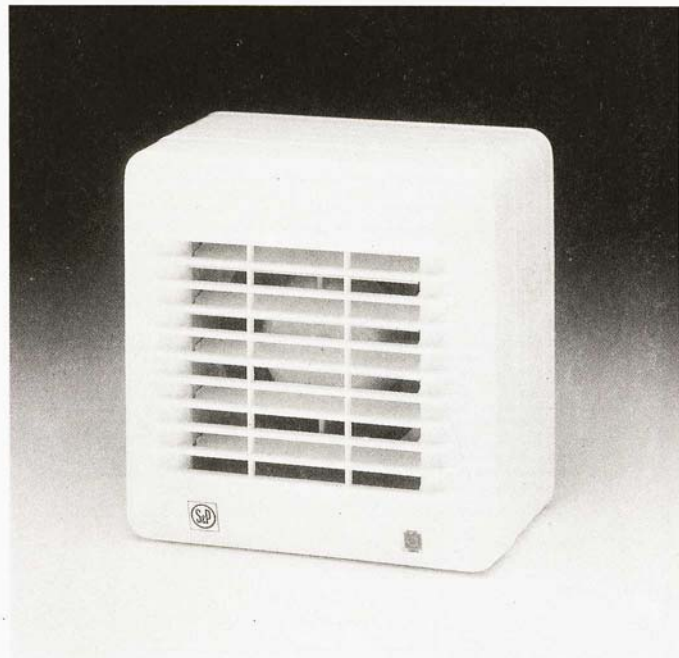
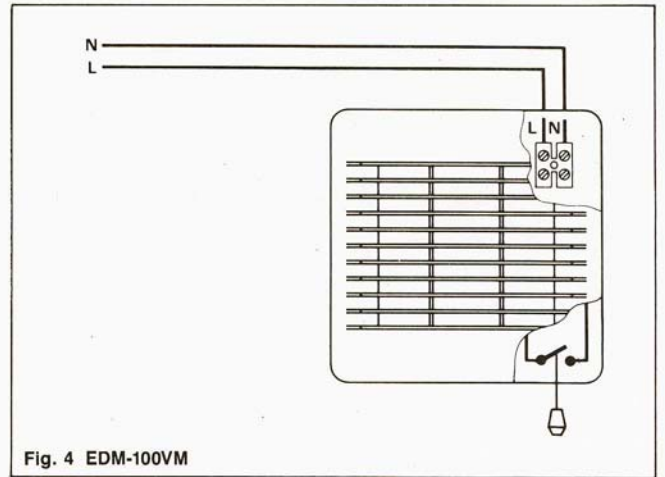
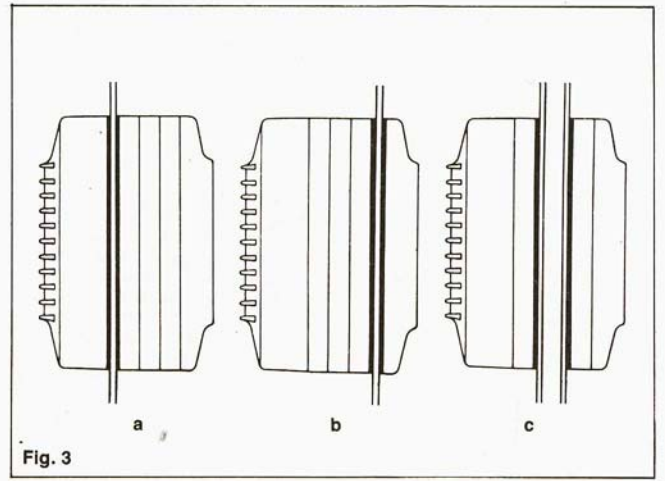
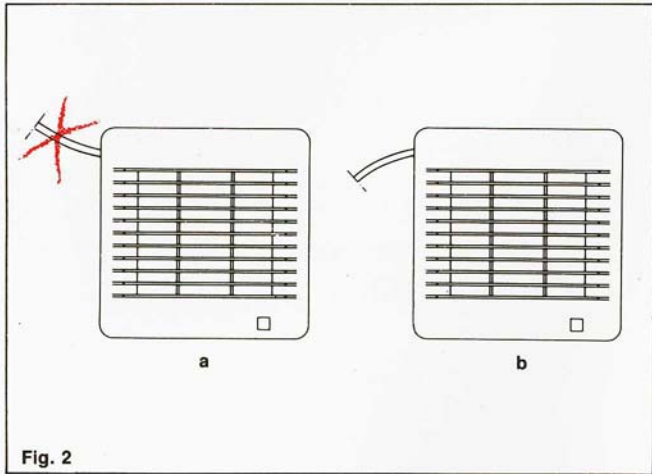
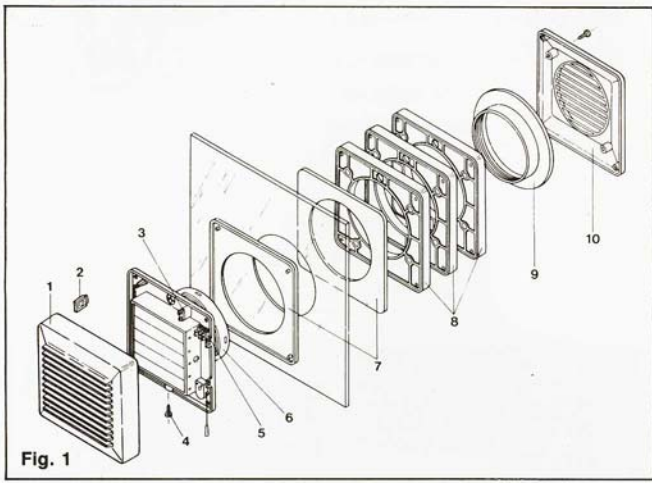


**EDM-100 VM** Extractores axiales de presión  
Extracteurs axiaux à pression  
Axial pressure extractors  
Hochleistungs-Axial-Ventilatoren  
Extractores axiais de pressão  
Estrattori assiali a pressione  
Axiale Afzuigventilatoren  
Axialfläktar





## Operating and Installation Instructions

Please check the unit on unpacking and before operation. Any defect in workmanship or materials is covered by the SP guarantee.

### Description

The EDM-100 VMs are axial pressure extractors manufactured in accordance with European safety standards and are double insulated.

### Preparation of the unit for installation

#### Very important:

Before installing and connecting the unit, make sure you have disconnected the mains supply.

- 1,10 Protective wire screen (front and rear)
2. Side cable entry
3. Clamp
4. Clamping screw
5. Connection's strip
6. Outlet
7. Rubber gaskets
8. Spacers
9. Threaded ring

Loosen the screws located at the front and rear protective screens and pull them away.

Unscrew the threaded ring located at the rear of the unit by turning it anti-clockwise to free the 4 spacers Fig. (1).

### Installation

The EDM-100 is a bathroom extractor designed for installing in single or double-glazed windows. In order to install it, a 105 mm. diameter. Hole must be made in the glass at the chosen location. Having done this, introduce the outlet of the extractor into the hole fig. (1) and place the spacers according to your preferences and needs: all outside fig. (3a) all inside fig. (3b) or both inside and outside fig. (3c). When the unit is installed in double-glazed windows it may not be necessary to use all the spacers. Then fix the unit with the threaded ring, by turning it clockwise. As a measure of protection for the glass, flexible plastic frames may be placed between the spacer and the glass, to reduce noise and vibration.

### Electrical connection

The EDM-100 extractor has been designed to operate on a single-phase supply, in accordance with the voltage and frequency shown on the rating plate which can be found by removing the front protective screen.

The electrical installation should be made with a single pole isolating switch (with a distance between contacts of at least 3 mm).

When installing the fan using surface wiring the cable should be fitted as shown in fig. (2b) and not as fig. (2a). After fitting, the cable should be passed through clamp by connection.

The electrical connection is made at the connection's strip as shown in figure (4).

When the electrical connections have been made, replace the protective screens and tighten the screws.

Connect the electrical supply and the unit will be ready for operation.

Do not dismantle or interfere with the unit in any way other than as required in these installation instructions, since any interference will automatically cancel the SP guarantee. If your unit has any defect, consult the wide network of official SP Service Centres.