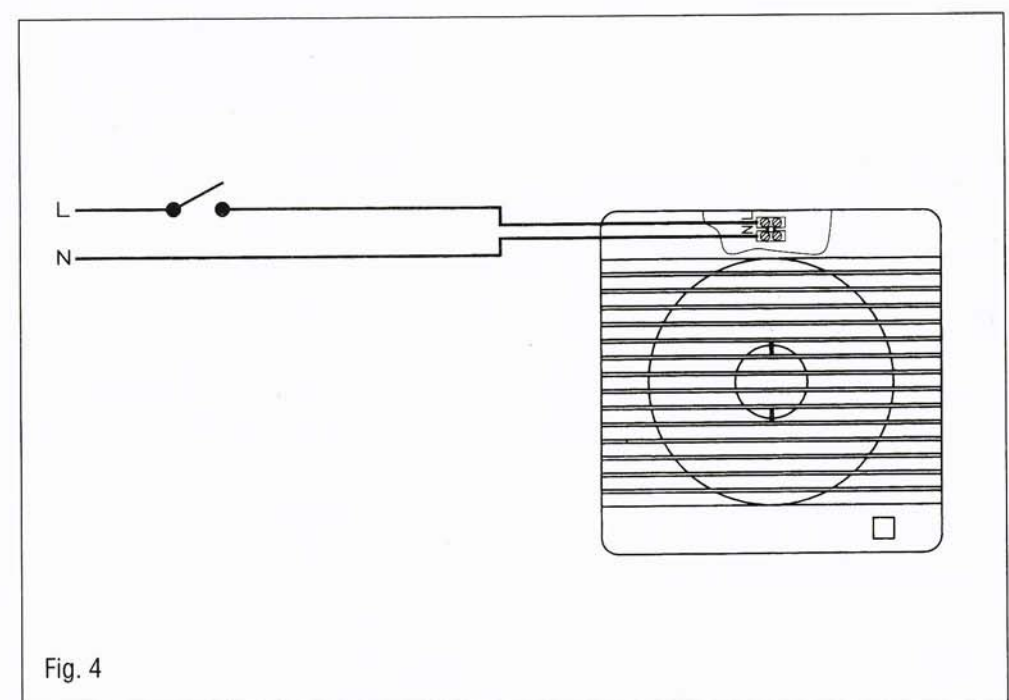
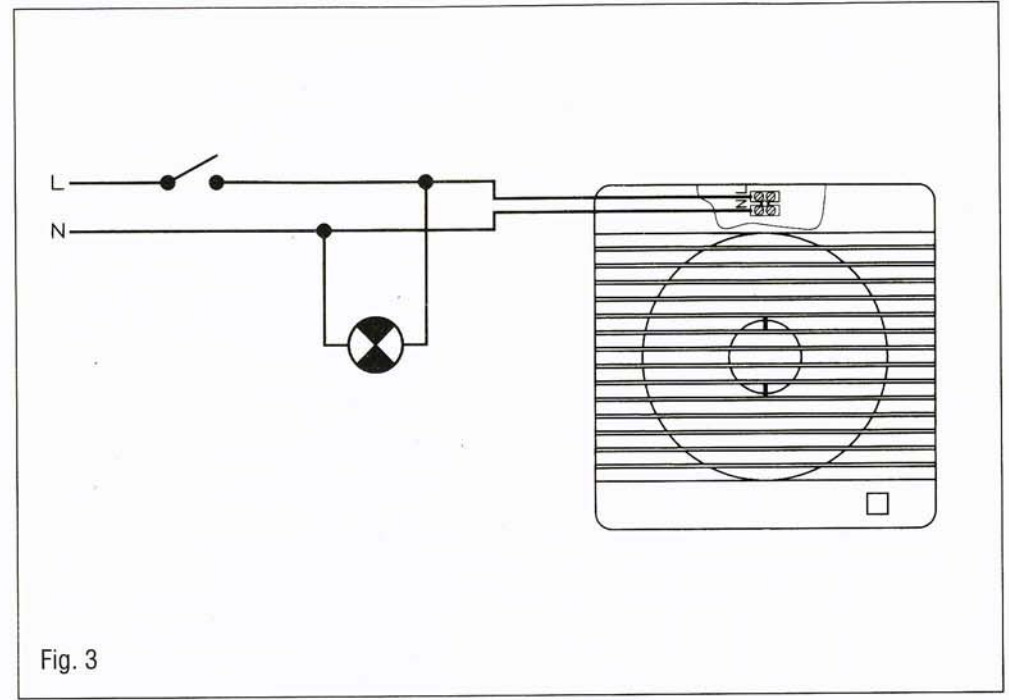
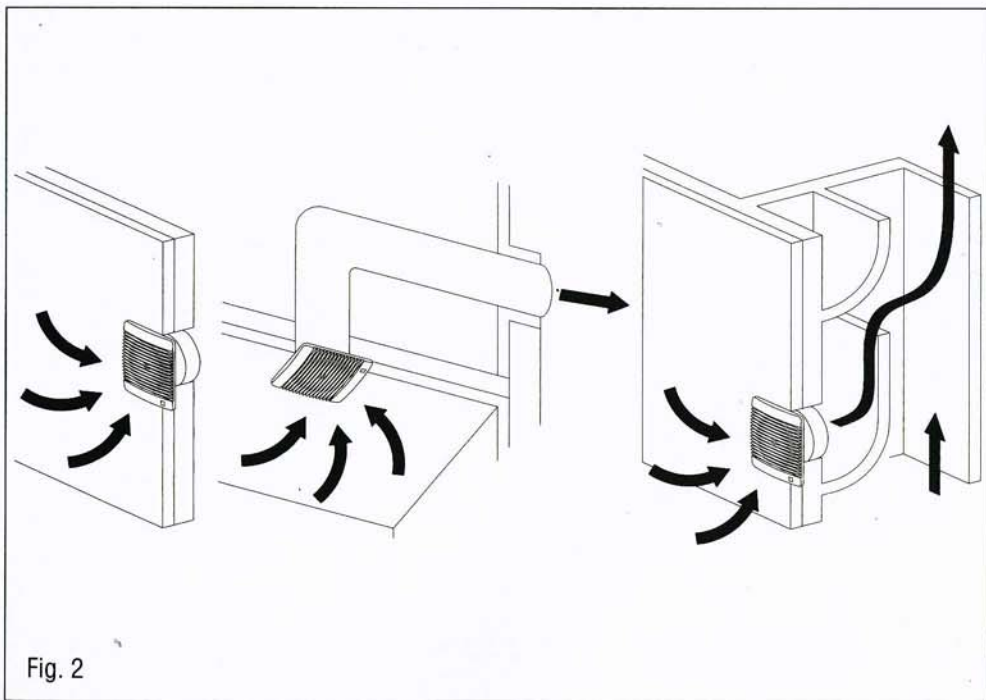
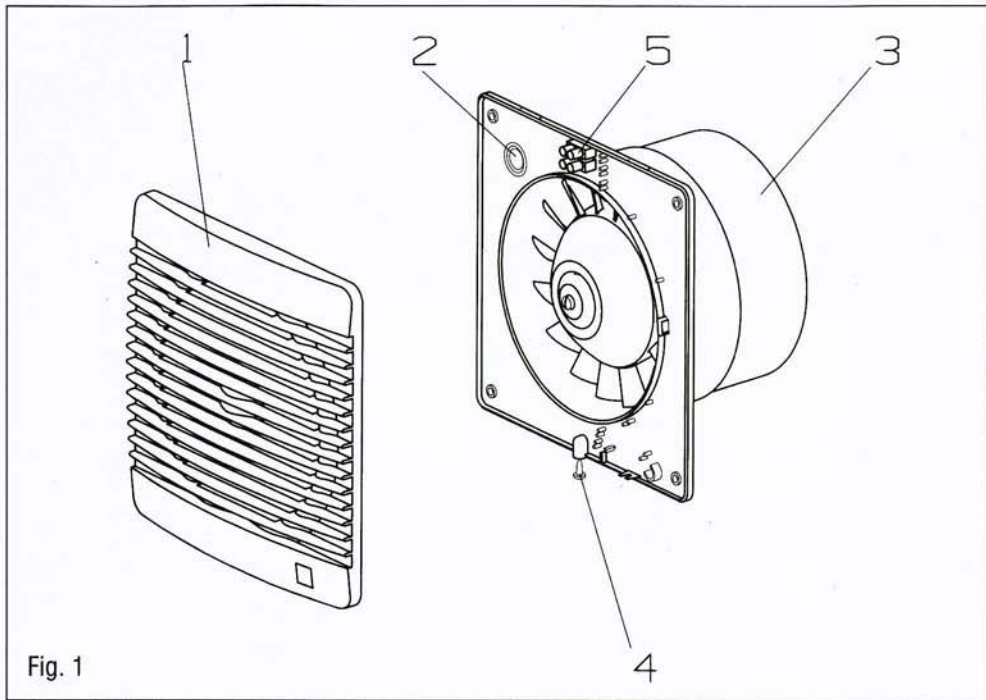
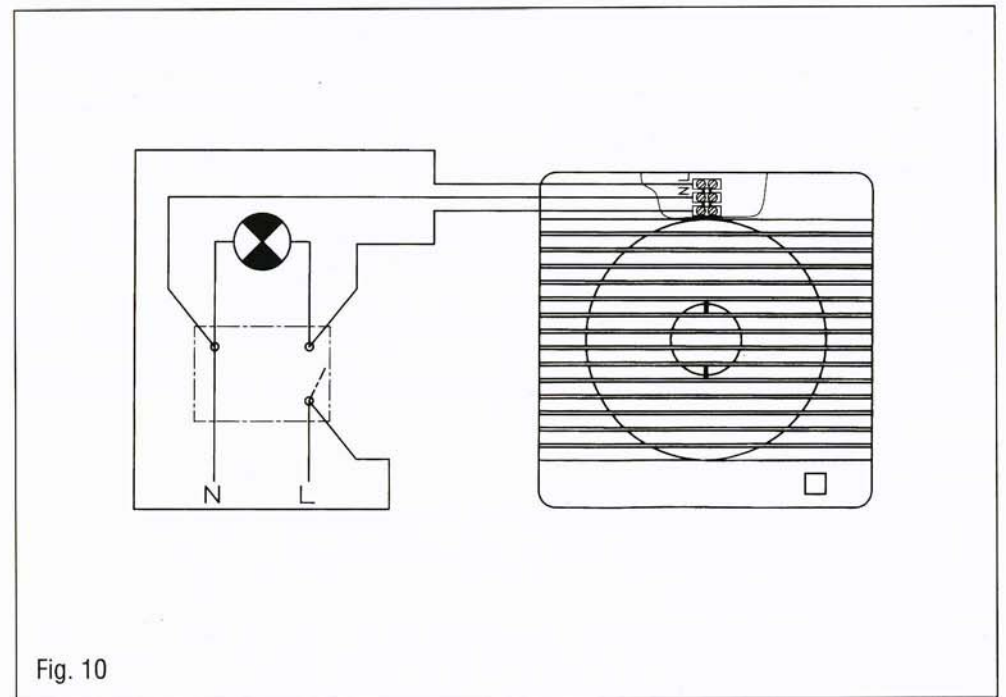
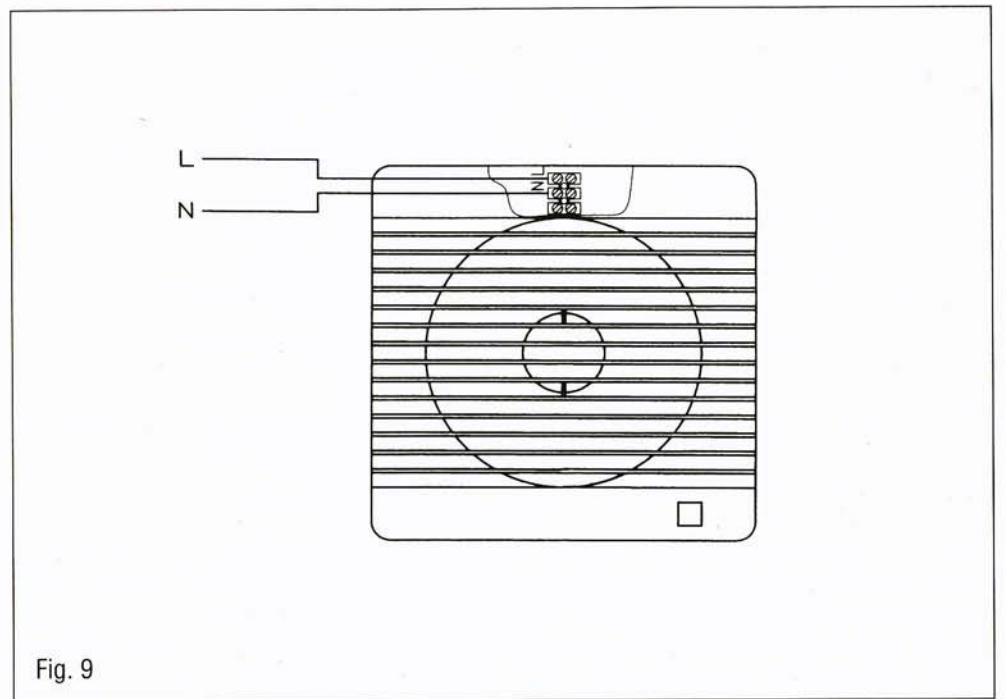
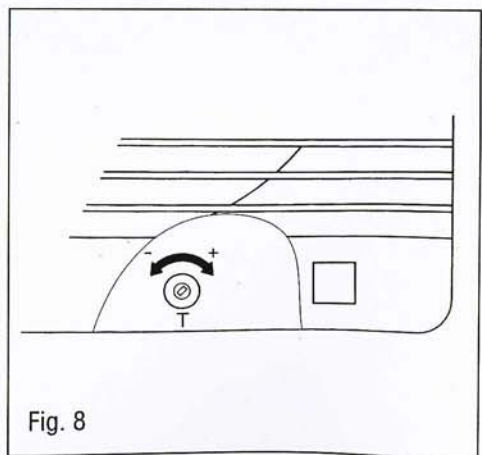
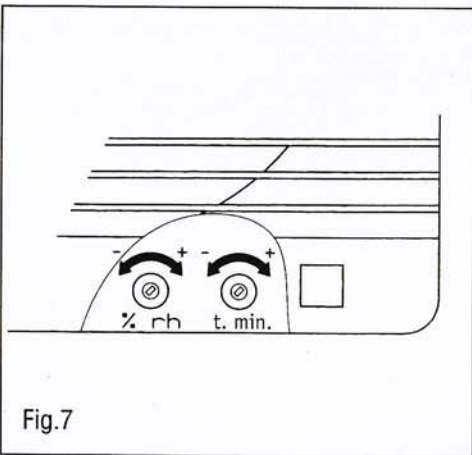
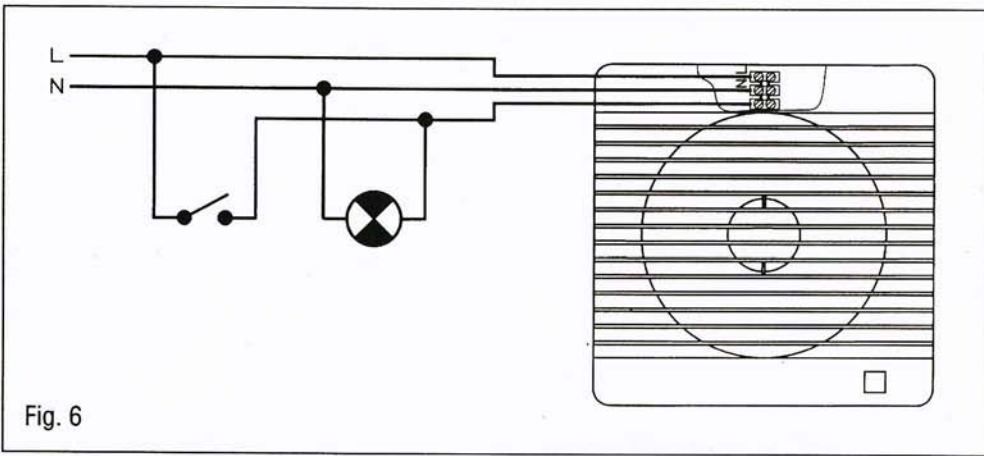
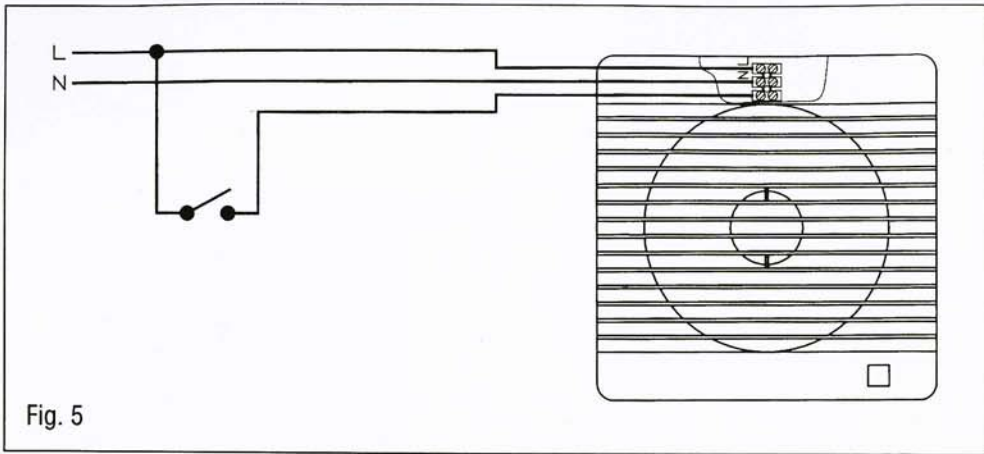


**DECOR-300**



**Instrucciones de uso  
User instructions  
Notice d'utilisation  
Montageanweisungen  
Montage-Gebruiksaanwijzing  
Instruções de utilização  
Användar instruktion  
Instrukcja obsługi  
Libretto istruzioni**





## ENGLISH

### DECOR-300 Axial Extractor fans

The DECOR-300 range extractors have been manufactured to the rigorous standards of production and quality as laid down by the international Quality Standards ISO 9001. All the components have been checked and all the final products have been tested at the end of the manufacturing process.

We recommend you to check the following when receiving this product:

- 1- That it is the correct size.
- 2- That it is the correct model.
- 3- That the details on the rating label are those you require: voltage, frequency...

The installation must be in accordance with the electrical standards in force in your country.

### Installation

**IMPORTANT:** Before installing and wiring the EDM, ensure that the main supply is disconnected.

- Fig. 1:
- |                      |                         |
|----------------------|-------------------------|
| 1- Protection grille | 4- Fixing screw         |
| 2- Slot              | 5- Connection terminals |
| 3- Outlet            |                         |

The DECOR can be installed on wall or ceiling, and the discharge can be made direct to the outside or to a ducting (individual or shunt, fig. 2).

The hole to be made on the wall or the ceiling must have the following diameter: 160 mm

Loosen the screw (4) fixing the grille (1).

If the installation is made to an individual ducting, use standard ducting: 150 or 160 mm

Ensure that there are no obstructions to the airflow and that the impeller turns freely.

Fix the extractor to the wall with the 4 plugs and screws supplied in the packaging. The unit must be fixed in such a way that it is not stressed, to avoid noise generation or problems in the rotation of the impeller. Connect the electrical wiring as explained hereafter and then mount the protection grille and fixed it by tightening the screw (4).

### Electrical connection

The DECOR is an extractor designed for a single phase supply, with voltage and frequency as indicated on the rating plate of the unit. The units are made with double electrical insulation (Class II) and therefore they do not need an earth connection.

The electrical installation must include a double pole switch with a contact clearance of at least 3 mm.

Once the cable has been introduced, through the slot (2), proceed to the appropriate electrical wiring depending on the DECOR model.

### DECOR-300 S, C, SZ and CZ

For these models use the following diagrams:

Fig. 3- Switching the extractor through the light switch.

Fig. 4- To switch the fan through an independent switch.

### DECOR-300 R, CR, RZ and CRZ

Models fitted with adjustable timer. The timer enables the extractor to continue running during the time delay, after the switch has been switched off (fig. 5). The diagram on fig. 6 shows how to connect a unit fitted with timer using the light switch.

To adjust the timer, turn the rotary switch on the Printed Circuit Board (Fig. 7).

- To decrease the time delay turn it Counter Clockwise (CCW).

- To increase the time delay turn it Clockwise (CW).

### DECOR-300 C, CR, CH, CZ, CRZ and CHZ

These models are fitted with automatic shutter.

**WARNING: The opening of the shutter is facilitated by means of a thermal system that needs some seconds to open completely.**

### DECOR-300 H, CH, HZ, and CHZ

Models provided with an electronic humidistat which can be adjusted from 60 % to 90 % RH (relative humidity), and with a timer, ajustable between 2 and 20 minutes.

### Operation

**Case 1:** Automatic operation (Fig. 9).

In automatic operation, the humidistat causes the extractor to operate automatically when the humidity level in the room is higher than the set level. The extractor will stop automatically when the humidity drops below the selected level and after the selected period set on the timer.

**Case 2:** Automatic operation as in case 1 with the facility to override the hygostat by means of the light switch (Fig. 10), when the humidity level in the room is lower than the selected level. In this case, the extractor continues to operate for the selected period set on the timer after the switch light has been switched off.

**ATTENTION: When the humidity rate is above the selected value, the automatic option takes precedence over the manual and the unit cannot then be switched off using a switch.**

The desired humidity level is selected by means of a potentiometer «% Hr» positioned on the printed circuit board (Fig. 7) and accessible once the grille (1) has been removed.

- To increase the humidity setting turn anticlockwise (min. 60 %).

- To reduce the humidity setting turn clockwise (max. 90 %).

To set the timer, turn the potentiometer «t min.» on the printed circuit board (Fig. 7):

- To reduce the «run on» time, turn anticlockwise (min. 2 minutes).

- To increase the «run on» time, turn clockwise (max. 90 %).

### Maintenance

The extractor needs only a periodical cleaning using a cloth lightly impregnated with a soft detergent.

### After Sales Service

We recommend you not to dismantle or remove any other parts than those mentioned as any tampering would automatically cancel the S&P guarantee. If you detect any fault, contact your S&P dealer.

S&P reserves the right to alter specifications without notice.